

2011 Catalog



L00141

11/11



Air Dryers/Air Line



This page left blank intentionally.

05 – Air Dryers/Air Line

Table of Contents	05–1
Part Number Index	05–4
General Information	
Foreword	05–7
Air Dryers	
Haldex/Midland (New/Remanufactured)	
DRYest® Air Dryer	05–8
ModulAir® Dryer	05–9
PURest® Air Dryer	05–10
Pure Air Plus™ Air Dryer	05–11
Pure Air™ Air Dryer	05–12
DRYest® Service Kits	05–13
DRYest® Purge Tank Kit	05–15
DRYest® Valve Cap	05–16
ModulAir® Service Kits	05–17
PURest® Service Kits	05–18
Pure Air Plus™ Service Kits	05–19
Pure Air™/Pure Air Plus™ Heater Kits	05–21
Pure Air™ Service Kits	05–22
Pure Air™ Filter	05–23
Safety Valve – Pure Air™/Pure Air Plus™, PUPrest, ModulAir®	05–24
Aerofiner II and III Service Kits	05–25
Competitive (New/Remanufactured)	
WABCO SS1200	05–26
WABCO SS1200 Repair Kits	05–27
Bendix® AD–2	05–28
Bendix® AD–4	05–29
Bendix® AD–9	05–30
Bendix® AD–IP	05–32
Bendix® AD–IS	05–33
Bendix® AD–SP	05–34
Bendix® End Cover Assembly	05–35
Bendix® Repair Kits	05–36
Competitive Cartridges	05–37
Consep® Condenser/Separator	05–38
Consep® Service Kit	05–39
Drain Tube Kit for Consep® or ADV	05–40
Automatic Drain Valve	05–41

Automatic Drain Valve Service Kits	05–42
Alcohol Evaporator	05–43
Gladhands	
Conventional Style	05–44
Gladhands With Dust Covers	05–45
Gladhand With Cable	05–46
Quick Release Gladhand	05–47
Bracket Mount Style	05–48
Flexible Mount Style	05–49
Gladhand Accessories and Related Parts	05–50
AirPower Line	05–51
Air Line Tubing	
Nylon Tubing (Bulk)	
Single Wall Non–Reinforced Nylon Tubing	05–52
Reinforced Nylon Tubing	05–53
Polyethylene Tubing	05–54
Hose Assemblies	
Compressor Discharge Hose Assembly	05–55
Coiled Air Hose Assemblies	
Aircoils – Basic	05–56
Cab Blower Kit	05–57
Clamps, Ring, Brackets & Separators	05–58
Bulk Rubber Air Hose	05–59
Nose Box – 3/8" I.D. Hose Assemblies	05–60
3/8" I.D. Air Hose Assemblies	
3/8" I.D. Air Hose Assemblies with 1/4" One Fixed–One Swivel Ends	05–61
3/8" I.D. Air Hose Assemblies with 3/8" One Fixed–One Swivel Ends	05–62
3/8" I.D. Air Hose Assemblies with 3/8" Swivel Ends	05–63
1/2" I.D. Air Hose Assemblies	
1/2" I.D. Air Hose Assemblies with 3/8" Swivel Ends	05–64
1/2" I.D. Air Hose Assemblies with 3/8" One Fixed–One Swivel Ends	05–65
1/2" I.D. Air Hose Assemblies with One 1/2" Fixed and One 3/8" Swivel End	05–66
1/4" I.D. Air Hose Assemblies	05–67
Hose Rack	05–68
Air Line Fittings	
Adapters for Hose Assemblies	05–69
Branch and Run Tees	05–70
Hose Fittings	05–71
Male Connectors and Elbows	05–72
Nuts, Sleeves and Inserts	05–73
Plugs and Reducers	05–74

Table of Contents

05–AIR DRYERS/AIR LINE

Terminal Bolts (Frame Nipples)	05–75
Union and Union Tee Fittings	05–76
Reservoirs	
Reservoirs – Saddle Mounted, Single Compartment	05–77
Reservoirs – Saddle Mount, Dual Compartment Tank	05–78
Reservoirs Related Parts	05–79
Air Product Accessories	
Flexastiks	05–80
Slide Bars	05–81
Slide Bar Component Parts	05–82
Air Line Filter Assemblies	05–83
Miscellaneous Accessories	05–84
Maintenance	
DRYest Air Dryer	05–85
PURest Air Dryer	05–86
Consep Condenser/Separator	05–87
Alcohol Evaporators	05–88

05-AIR DRYERS/AIR LINE

Part Number Index

Part Number	Type	Page #	Part Number	Type	Page #	Part Number	Type	Page #	Part Number	Type	Page #
10024	S	05-50	109871K	S	05-36	11279	S	05-70	11903	S	05-71
10028	S	05-50	109991	S	05-34	11281	S	05-70	11904	S	05-71
10029	S	05-50	109991X	S	05-34	11282	S	05-70	11905	S	05-71
10029	O	05-50	109992X	S	05-34	11283	S	05-70	11906	S	05-71
10035	S	05-50	109994K	S	05-37	11284	S	05-70	11907	S	05-71
100469	O	05-58	109995K	S	05-36	11285	S	05-70	11908	S	05-71
100469D	O	05-58	11000	S	05-59	11292	S	05-72	11909	S	05-71
100696E	S	05-23	11001	S	05-59	11300	S	05-75	11910	S	05-71
100696E	O	05-23	11002	S	05-59	11300	O	05-75	11911	S	05-71
100696Y	O	05-19	11004	S	05-59	11304	S	05-75	11912	S	05-71
101026N	O	05-18	11041	S	05-54	11306	S	05-75	11913	S	05-71
101416AC	O	05-49	11042	S	05-54	11307	S	05-75	11914	S	05-71
101416BC	O	05-49	11044	S	05-54	11307	O	05-75	11950	S	05-56
101900MKX	S	05-37	11046	S	05-54	11311	S	05-75	11951	S	05-56
101900X	S	05-37	11050	S	05-76	11312	S	05-50	11952	S	05-56
102642	S	05-22	11051	S	05-76	11315	S	05-75	11953	S	05-56
102642	O	05-22	11052	S	05-76	11327	S	05-79	11954	S	05-56
102644C	O	05-19	11088	S	05-74	11328	S	05-79	11955	S	05-56
102644C	O	05-18	11089	S	05-74	11400	S	05-46	11956	S	05-56
102655DA	O	05-21	11090	S	05-74	11401	S	05-50	11960	S	05-56
102655DP	O	05-21	11091	S	05-74	11402	S	05-50	11961	S	05-56
102655DP	O	05-18	11092	S	05-74	11403	S	05-50	11964	S	05-56
102655DT	O	05-18	11093	S	05-74	11403	S	05-58	11965	S	05-56
102655DT	O	05-21	11094	S	05-74	11404	S	05-58	11966	S	05-56
102657K	S	05-36	11095	S	05-74	11404	S	05-50	11967	S	05-56
10358	O	05-50	11096	S	05-74	11405	S	05-50	11968	S	05-56
103818K	S	05-36	11097	S	05-74	11420	S	05-84	11969	S	05-56
103879K	S	05-36	11098	S	05-74	11421	S	05-84	11970	S	05-56
103980K	S	05-35	11099	S	05-74	11430	S	05-49	11971	S	05-56
104027K	S	05-36	11120	S	05-84	11431	S	05-49	11972	S	05-56
10405	O	05-50	11121	S	05-84	11432	S	05-49	11973	S	05-56
10422	O	05-50	11122	S	05-84	11440	S	05-48	1507	O	05-58
10422	O	05-58	11123	S	05-84	11441	S	05-48	1507A	O	05-58
1042201	O	05-50	11124	S	05-84	11444	S	05-48	1508	O	05-58
1042201	O	05-58	11125	S	05-84	11445	S	05-48	1508A	O	05-58
10422A	O	05-58	11126	S	05-84	11450	S	05-44	1509	O	05-50
10422A	O	05-50	11127	S	05-84	11451	S	05-44	15111	O	05-84
104358MKX	S	05-37	11130	S	05-73	11452	S	05-44	15112	O	05-84
104358X	S	05-37	11131	S	05-73	11460	S	05-44	15113	O	05-84
10440	O	05-50	11132	S	05-73	11461	S	05-44	15114	O	05-84
10451E	O	05-44	11133	S	05-73	11462	S	05-44	15114	O	05-84
10451EC	O	05-44	11134	S	05-73	11480	S	05-83	15115	O	05-84
10451HA	O	05-44	11150	S	05-74	11483	S	05-47	15116	O	05-84
10452S	O	05-44	11151	S	05-74	11484	S	05-47	15117	O	05-84
10452SC	O	05-44	11152	S	05-74	11489	S	05-45	15118	O	05-84
10453110	O	05-46	11201	S	05-76	11490	S	05-45	1521	O	05-58
10453110	O	05-48	11202	S	05-76	11500	S	05-80	152101	O	05-58
1046250E	O	05-48	11203	S	05-76	11501	S	05-80	1522	O	05-58
1046250S	O	05-48	11204	S	05-76	11502	S	05-80	1523	O	05-58
1046560E	O	05-48	11214	S	05-76	11503	S	05-80	16014	S	05-61
1046560S	O	05-48	11215	S	05-76	11504	S	05-80	16016	S	05-61
1048011	O	05-50	11216	S	05-76	11505	S	05-80	16018	S	05-61
10600	O	05-84	11217	S	05-76	11506	S	05-80	16020	S	05-61
10601	O	05-84	11218	S	05-73	11507	S	05-80	16022	S	05-61
10602	O	05-84	11219	S	05-73	11508	S	05-80	16024	S	05-61
10603	O	05-84	11220	S	05-73	11509	S	05-80	16026	S	05-61
107695K	S	05-36	11221	S	05-73	11510	S	05-80	16028	S	05-61
107794MKX	S	05-37	11223	S	05-73	11511	S	05-80	16030	S	05-61
107794X	S	05-37	11224	S	05-73	11512	S	05-80	16032	S	05-61
107796	S	05-37	11225	S	05-73	11514	S	05-84	16034	S	05-61
107798K	S	05-36	11226	S	05-73	11540	S	05-58	16036	S	05-61
107800K	S	05-36	11228	S	05-72	11541	S	05-58	16038	S	05-61
109477RX	S	05-32	11229	S	05-72	11542	S	05-58	16040	S	05-61
109477X	S	05-32	11231	S	05-72	11543	S	05-58	16042	S	05-61
109478X	S	05-32	11232	S	05-72	11544	S	05-58	16044	S	05-61
109493RX	S	05-37	11233	S	05-72	11545	S	05-58	16046	S	05-61
109493X	S	05-37	11235	S	05-72	11546	S	05-58	16048	S	05-61
109494K	S	05-36	11236	S	05-72	11547	S	05-58	16054	S	05-61
109495K	S	05-36	11238	S	05-72	11548	S	05-58	16060	S	05-61
109498K	S	05-36	11258	S	05-72	11549	S	05-58	16072	S	05-61
109569K	S	05-36	11259	S	05-72	11600	S	05-84	16316	S	05-65
109578K	S	05-36	11261	S	05-72	11601	S	05-84	16318	S	05-65
109579K	S	05-36	11262	S	05-72	11602	S	05-84	16320	S	05-65
109685HX	S	05-30	11263	S	05-72	11602	O	05-84	16322	S	05-65
109685X	S	05-30	11264	S	05-72	11603	S	05-84	16324	S	05-65
109686X	S	05-36	11266	S	05-72	11611	S	05-58	16326	S	05-65
109687X	S	05-30	11267	S	05-72	11615	S	05-51	16328	S	05-65
109688HX	S	05-30	11268	S	05-72	11900	S	05-71	16330	S	05-65
109688X	S	05-30	11271	S	05-70	11901	S	05-71	16332	S	05-65
109689X	S	05-30	11273	S	05-70	11901	O	05-71	16334	S	05-65
109869K	S	05-36	11274	S	05-70	11902	S	05-71	16336	S	05-65

Type "O" = OEM P/N, Type "S" = Service P/N

If OEM part # is not found on page listed, refer to the MCR for applicable cross reference.

Part Number Index

05-AIR DRYERS/AIR LINE

Part Number	Type	Page #	Part Number	Type	Page #	Part Number	Type	Page #	Part Number	Type	Page #
16338	S	05-65	201160B	O	05-19	417-10004	O	05-15	5018227X	S	05-32
16340	S	05-65	201160C	O	05-19	470-10001	O	05-15	5301105	O	05-70
16342	S	05-65	26005	S	05-60	470-10002	O	05-8	62X1518B0	S	05-67
16344	S	05-65	26007	S	05-60	470-10002	O	05-8	62X1524B0	S	05-67
16346	S	05-65	275015	O	05-58	470-10006	O	05-8	62X1530B0	S	05-67
16348	S	05-65	276015	O	05-58	470-10008	O	05-8	62X1536B0	S	05-67
16352	S	05-65	286875RX	S	05-35	470-10009	O	05-8	65041X	S	05-29
16354	S	05-65	286875X	S	05-35	470-10009	O	05-18	65044X	S	05-35
16356	S	05-65	286876X	S	05-35	470-10009	O	05-19	65224	S	05-30
16360	S	05-65	286934X	S	05-28	470-10011	O	05-8	65224X	S	05-30
16372	S	05-65	286936X	S	05-28	470-10012	O	05-8	65225	S	05-30
16418	S	05-63	287053K	S	05-36	470-10014	O	05-8	65228X	S	05-30
16420	S	05-63	287298K	S	05-36	470-20002	O	05-8	65231X	S	05-35
16424	S	05-63	300074C	O	05-22	470-20006	O	05-8	65454X	S	05-35
16428	S	05-63	300074E	S	05-19	470-20008	O	05-8	65499X	S	05-30
16430	S	05-63	30107	S	05-84	470-20009	O	05-8	65605X	S	05-30
16436	S	05-63	30108	S	05-84	470-20010	O	05-8	65624K	S	05-37
16442	S	05-63	30109	S	05-84	470-20011	O	05-8	65647WX	S	05-30
16448	S	05-63	3100260001	O	05-9	470-20012	O	05-8	65647X	S	05-30
16460	S	05-63	3100260002	O	05-9	470-20012	O	05-8	65650	S	05-30
16618	S	05-62	314F4B60	O	05-60	470-20014	O	05-8	65654X	S	05-35
16620	S	05-62	31X25	O	05-73	47010001	S	05-15	800404K	S	05-36
16622	S	05-62	31X28	O	05-73	47020020	O	05-8	800973X	S	05-34
16624	S	05-62	410-10010	O	05-41	471-10007	O	05-13	90969	O	05-18
16626	S	05-62	410-10011	O	05-41	471-10015	O	05-13	950011K	S	05-37
16628	S	05-62	410-10012	O	05-41	471-10020	O	05-13	950013K	S	05-27
16630	S	05-62	410-10013	O	05-41	471-10020	O	05-17	950014K	S	05-27
16632	S	05-62	410-10014	O	05-41	471-10021	O	05-13	950015K	S	05-27
16634	S	05-62	410-10016	O	05-41	471-10021	O	05-17	950017K	S	05-27
16636	S	05-62	410-10017	O	05-41	471-10022	O	05-13	955205	S	05-26
16638	S	05-62	410-10018	O	05-41	471-10024	O	05-16	955205X	S	05-26
16640	S	05-62	410-10019	O	05-41	471-10031	O	05-17	955206X	S	05-26
16642	S	05-62	410-10020	O	05-41	471-10031	O	05-18	955300X	S	05-26
16644	S	05-62	410-10021	O	05-41	471-77343	O	05-13	A72420	S	05-43
16646	S	05-62	410-10022	O	05-41	471-77433	O	05-13	A72420	O	05-43
16648	S	05-62	410-10023	O	05-41	471-77434	O	05-13	A72421	S	05-43
16654	S	05-62	410-10024	O	05-41	471-77434	O	05-17	A72422	S	05-43
16660	S	05-62	410-10025	O	05-41	471-77442	O	05-13	A77770	S	05-44
16672	S	05-62	410-10026	O	05-41	471-78106	O	05-13	A77771	S	05-44
16718	S	05-64	410-10027	O	05-41	471-78199	O	05-13	A86129	S	05-71
16720	S	05-64	410-10036	O	05-41	471-78223	O	05-13	A86300	S	05-44
16722	S	05-64	410-10037	O	05-41	471-78275	O	05-13	A86621	S	05-71
16724	S	05-64	410-71327	O	05-42	471-78801	O	05-13	A86623	S	05-71
16726	S	05-64	410-89179	O	05-41	471-78949	O	05-13	A97471	S	05-78
16728	S	05-64	410-89180	O	05-41	471-78964	O	05-13	AD72420	O	05-43
16730	S	05-64	410-92750	O	05-39	471-78964	O	05-17	AD77770	O	05-44
16732	S	05-64	41010019	S	05-41	471-86758	O	05-13	AD77771	O	05-44
16734	S	05-64	41010021	S	05-41	471-87348	O	05-13	AD86300	O	05-44
16736	S	05-64	41071327	S	05-42	471-90361	O	05-13	AE72420	O	05-43
16738	S	05-64	41092749	S	05-39	47110007	S	05-13	AE72421	O	05-43
16740	S	05-64	41092750	S	05-39	47110015	S	05-13	AE72422	O	05-43
16748	S	05-64	411-76281	O	05-42	47110020	S	05-13	AE72423	O	05-43
16756	S	05-64	411-78240	O	05-40	47110020	S	05-17	AE77771	O	05-44
16772	S	05-64	411-83400	O	05-42	47110021	S	05-17	AE97471	O	05-78
16820	S	05-66	411-83401	O	05-42	47110021	S	05-13	BE0545241	S	05-84
16824	S	05-66	411-89454	O	05-42	47110022	S	05-13	BE0545271	S	05-84
16830	S	05-66	41176281	S	05-42	47110024	S	05-16	BE0546064	S	05-84
16836	S	05-66	41176282	S	05-42	47177343	S	05-13	BE0546084	S	05-84
16848	S	05-66	41178240	S	05-40	47177434	S	05-13	BE0546144	S	05-84
16860	S	05-66	41183400	S	05-42	47177434	S	05-17	BE0546164	S	05-84
16872	S	05-66	41183401	S	05-42	47177442	S	05-13	BE120167	S	05-50
18X906	O	05-59	41189454	O	05-42	47178106	S	05-13	BE12600	S	05-50
1981	O	05-77	41189454	S	05-42	47178199	S	05-13	BE15041	S	05-50
19810	S	05-77	41189455	S	05-42	47178223	S	05-13	BE15042	S	05-50
19820	O	05-77	412-10017	O	05-38	47178964	S	05-13	BE17153	S	05-58
19820	S	05-77	412-10019	O	05-38	47178964	S	05-17	BE27107	S	05-51
19821	S	05-77	412-10025	O	05-38	47187348	S	05-13	BE27127	S	05-51
19821	O	05-77	412-10026	O	05-38	47189189	S	05-13	BE27157	S	05-51
1984	O	05-77	412-10027	O	05-38	47190361	S	05-13	BE27207	S	05-51
1984	O	05-77	412-10028	O	05-38	5000709X	S	05-32	CART224	S	05-37
19840	S	05-77	412-10029	O	05-38	5000985X	S	05-32	D015	S	05-82
19841	S	05-77	412-10030	O	05-38	5001247K	S	05-36	D025	S	05-82
19842	S	05-77	412-10045	O	05-38	5003547K	S	05-36	D040	S	05-82
19845	S	05-77	412-77322	O	05-39	5004050X	S	05-33	D045	S	05-82
19850	S	05-77	412-90364	O	05-39	5004338K	S	05-36	D060	S	05-82
1986396	O	05-77	41210026	S	05-38	5004341X	S	05-36	D070	S	05-82
200997B	S	05-68	41210029	S	05-38	5004342X	S	05-36	D075	S	05-82
201097	O	05-84	41277322	S	05-39	5005037K	S	05-36	D1020401	S	05-52
201124	O	05-84	41290364	S	05-39	5005893K	S	05-36	D1020402	S	05-52
201124A	O	05-84	415-73583	O	05-13	5008414K	S	05-37	D1020403	S	05-52
201160	O	05-19	415-73583	O	05-17	5010696X	S	05-33	D1020404	S	05-52

Type "O" = OEM P/N, Type "S" = Service P/N

If OEM part # is not found on page listed, refer to the MCR for applicable cross reference.

05-AIR DRYERS/AIR LINE

Part Number Index

Part Number	Type	Page #	Part Number	Type	Page #	Part Number	Type	Page #	Part Number	Type	Page #
D1040401	S	05-52	DQ6031	S	05-19	N20405PB	O	05-44	N4250M	O	05-10
D1040402	S	05-52	DQ6032	S	05-19	N20405PD	O	05-44	N4251	O	05-10
D1040403	S	05-52	DQ6036	S	05-19	N20405PE	O	05-44	N4251C	O	05-10
D1040404	S	05-52	DQ6037	S	05-19	N20405RA	O	05-49	N4251F	O	05-10
D1040405	S	05-52	DQ6037	S	05-18	N20405RC	O	05-49	N4251N	O	05-10
D1040406	S	05-52	DQ6050	S	05-18	N20405RE	O	05-49	N4253AA	O	05-10
D1040801	S	05-52	DQ6051	S	05-17	N20405TA	O	05-48	N4253AB	O	05-10
D1060401	S	05-53	DQ6051	S	05-18	N20405TB	O	05-48	N4253AD	O	05-10
D1060402	S	05-53	DQ6052	S	05-18	N20405TB	O	05-48	N4253AH	O	05-10
D1060403	S	05-53	DQ6053	S	05-18	N20405TC	O	05-48	N4253J	O	05-10
D1060404	S	05-53	DQ6054	S	05-18	N20405TD	O	05-48	N4253J	O	05-10
D1060405	S	05-53	DQ6054	S	05-13	N20405TJ	O	05-48	N4254AB	O	05-10
D1060406	S	05-53	DQ6054	S	05-17	N20405TK	O	05-48	N4260	O	05-8
D1060601	S	05-53	DQ6055	S	05-17	N20405TK	O	05-44	N4260A	O	05-8
D1060602	S	05-53	DQ6056	S	05-17	N20405TL	O	05-48	N4260B	O	05-8
D1060603	S	05-53	DQ6058	S	05-17	N20405TM	O	05-48	N4260C	O	05-8
D1080401	S	05-53	DQ6060	S	05-17	N20405VA	O	05-48	N4261	O	05-8
D1080402	S	05-53	DQ6061	S	05-17	N20405VB	O	05-48	N4261A	O	05-8
D1080403	S	05-53	DQ6063	S	05-17	N20405VC	O	05-48	N4261B	O	05-8
D1080404	S	05-53	DQ6064	S	05-17	N20405VD	O	05-48	N4261B	O	05-8
D1080405	S	05-53	DQ91304	S	05-57	N20405VE	O	05-48	N4261C	O	05-8
D1080406	S	05-53	FF9260-36	O	05-25	N20405VK	O	05-48	N4261D	O	05-8
D1080601	S	05-53	FF969	O	05-25	N20405VL	O	05-48	N50011C	O	05-12
D1080603	S	05-53	FF970	O	05-25	N20405VM	O	05-48	N50011E	O	05-12
D1100201	S	05-53	FF973	O	05-25	N20415AD	O	05-44	RN13A	S	05-83
D1120201	S	05-53	K022105K	S	05-36	N20415MA	O	05-44	RN58A	S	05-50
D300074	S	05-22	KN17500	S	05-55	N20415MB	O	05-44	RN60	S	05-22
D330000	S	05-22	KN17501	S	05-55	N20415MB	O	05-44	RN60	O	05-22
D331000	S	05-19	KN17502	S	05-55	N20415MB	O	05-44	RN60A	S	05-22
D380310	S	05-50	KN17503	S	05-55	N20415MC	O	05-44	RN60A	O	05-22
D380310	O	05-50	KN17504	S	05-55	N20415MD	O	05-44	RN60D	S	05-22
DA229	S	05-81	KN31250	S	05-24	N20415MD	O	05-44	RN60D	O	05-22
DA33100BX	S	05-11	KN31527	S	05-24	N20415NA	O	05-44	RN60E	S	05-22
DA33100X	S	05-11	KN31529	S	05-24	N20415NA	O	05-44	RN60F	S	05-22
DA33110X	S	05-11	KN33000	S	05-12	N20415NB	O	05-44	RN60F	O	05-22
DA33115	S	05-19	KN33000X	S	05-12	N20415NC	O	05-44	RN60G	S	05-22
DA33115	S	05-18	KN33002	S	05-12	N20415ND	O	05-44	RN60G	O	05-22
DA33125	S	05-19	KN33010	S	05-12	N20415ND	O	05-44	RN60G	S	05-19
DA33140X	S	05-11	N1072P	O	05-50	N20415NF	O	05-44	RN60G	O	05-19
DA33200X	S	05-11	N1072R	O	05-50	N20415PA	O	05-44	RN60G	S	05-18
DA33240X	S	05-11	N10790K	O	05-84	N20415PB	O	05-44	RN60G	O	05-18
DA34100	S	05-10	N10790L	O	05-84	N20415PB	O	05-44	RN60H	S	05-22
DA34105	S	05-10	N10791K	O	05-84	N20415PC	O	05-44	RN60J	S	05-22
DA34110	S	05-10	N10791L	O	05-84	N20415PD	O	05-44	RN60J	O	05-22
DA34160	S	05-10	N11161AA	O	05-75	N20415PD	O	05-44	RN60K	S	05-22
DA34165	S	05-10	N1178AB	O	05-24	N30200	O	05-80	RN60K	O	05-22
DA34200	S	05-10	N1178BB	O	05-24	N30200A	O	05-80	RN60N	S	05-21
DA34310	S	05-10	N1178EE	O	05-24	N30200AA	O	05-80	RN60P	S	05-21
DA35100	S	05-8	N1178EF	O	05-24	N30200AB	O	05-80	RN60S	S	05-22
DA35100	O	05-8	N12306	S	05-69	N30200AC	O	05-80	RN60W	O	05-19
DA35105	S	05-8	N12306	O	05-69	N30200AD	O	05-80	RN94	S	05-25
DA35110	S	05-8	N12306AG	S	05-69	N30200AE	O	05-80	RN950	S	05-25
DA35110	O	05-8	N12306AG	O	05-69	N30200AE	O	05-44	RN951	S	05-25
DA35115	S	05-8	N12306AH	S	05-69	N30200AF	O	05-80	RN952	S	05-25
DA35200	S	05-8	N12306AH	O	05-69	N30200AG	O	05-80	RN953	S	05-25
DA35205	S	05-8	N12306BM	S	05-69	N30200AH	O	05-80	RN954	S	05-25
DA35210	S	05-8	N12306BM	O	05-69	N30200B	O	05-80	RN956	S	05-25
DA35215	S	05-8	N12306G	S	05-69	N30200BA	O	05-80	RN957	S	05-25
DA35220	S	05-8	N12969	O	05-83	N30200BB	O	05-80	RN969	S	05-25
DA36100	S	05-9	N12970A	O	05-83	N30200BC	O	05-80	RN970	S	05-25
DA36200	S	05-9	N12971B	S	05-83	N30200CA	O	05-80	RN970	O	05-25
DA9017B	S	05-50	N12971B	O	05-83	N30250A	O	05-24	RN973	O	05-25
DA9017R	S	05-50	N13047H	O	05-50	N30257	O	05-46	RN973	S	05-25
DA909005	S	05-50	N13048	O	05-50	N3625D	O	05-77	RN975	S	05-25
DQ16002	S	05-65	N13048A	O	05-50	N4244	O	05-12	RN975	O	05-25
DQ6011	S	05-21	N13048B	O	05-50	N4244A	O	05-12	RN976	S	05-25
DQ6012	S	05-21	N13048G	O	05-50	N4244AA	O	05-12	RN976	O	05-25
DQ6013	S	05-21	N13048H	O	05-50	N4244AF	O	05-12	RN977	S	05-25
DQ6013	S	05-18	N20405AR	O	05-48	N4244AG	O	05-12	RN978	S	05-25
DQ6014	S	05-18	N20405EA	O	05-47	N4244AH	O	05-12			
DQ6014	S	05-21	N20405FA	O	05-47	N4244AK	O	05-12			
DQ6020	S	05-19	N20405JC	O	05-45	N4244B	O	05-12			
DQ60200	S	05-79	N20405KC	O	05-45	N4244F	O	05-12			
DQ6023	S	05-19	N20405MA	O	05-44	N4244H	O	05-12			
DQ6023	S	05-18	N20405MB	O	05-44	N4244L	O	05-12			
DQ6024	S	05-19	N20405MB	O	05-44	N4244N	O	05-12			
DQ6025	S	05-22	N20405NA	O	05-44	N4244P	O	05-12			
DQ6026	S	05-19	N20405NB	O	05-44	N4245	O	05-12			
DQ6027	S	05-18	N20405ND	O	05-44	N4250	O	05-10			
DQ6027	S	05-19	N20405NF	O	05-44	N4250A	O	05-10			
DQ6028	S	05-19	N20405PA	O	05-44	N4250E	O	05-10			

Type "O" = OEM P/N, Type "S" = Service P/N

If OEM part # is not found on page listed, refer to the MCR for applicable cross reference.

PURPOSE OF THIS SECTION

This section is designed as a reference for Haldex Commercial Vehicle Systems new and remanufactured air brake system components and accessories, sold under the Haldex and Midland product names. Products described include all pertinent information needed to replace an OEM installed component or to help design an original installation. If there is a service number for a given part, it is noted in the product number table.

DESIGN FLEXIBILITY

The products presented in this section are described by function and usage. Technical data and mounting configurations are also provided. Throughout this section, reference is made to numerous specific OEM applications. This section is not, however, intended to be a mutually exclusive listing of all part numbers and designs available. Should the need for a design not presented occur, contact your Haldex Commercial Vehicle Systems sales representative for additional information.

WARRANTY INFORMATION

Proper service and repair are important to the safe, reliable operation of any motor vehicle. To prevent personal injury and/or vehicle damage, careful and cautious service procedures recommended by the vehicle manufacturer should be followed by anyone servicing a motor vehicle. For details on warranty of Haldex Commercial Vehicle air brake system components and accessories, refer to L20221 Aftermarket Warranty Policy. For warranty returns, use L90005 Warranty Adjustment Form. To obtain further information, visit the www.haldex.com website, select **North America/English** in drop down box then search for **Warranty**.

ORDERING PROCEDURE

Most customers can place electronic orders on the www.haldex.com website by obtaining a username and password or by using EDI. For additional information about electronic orders or to place an order by phone or fax, contact Customer Service in U.S. or Canada at numbers listed below:

U.S. Customer Service:

Phone: 800–643–2374
Fax: 800–533–1941
Mail: Commercial Vehicle Systems
Haldex Brake Products Corporation
Attn: Customer Service Department
10930 N. Pomona Ave.
Kansas City, MO 64153

Canada Customer Service:

Phone: 800–267–9247
Fax: 519–621–3924
Mail: Commercial Vehicle Systems
Haldex Limited
Canadian Distribution Centre
Attn: Customer Service Department
500 Pinebush Road, Unit 1
Cambridge, Ontario N1T 0A5

IMPORTANT NOTICE

The data listed herein is correct to the best of Commercial Vehicle Systems knowledge and belief, having been compiled from reliable and official sources of information. However, COMMERCIAL VEHICLE SYSTEMS CANNOT ASSUME ANY RESPONSIBILITY for possible error or misapplication of the product. Final determination of the suitability of the products for the use contemplated by the Buyer is the sole responsibility of the Buyer. Commercial Vehicle Systems shall have no responsibility in connection with this suitability. It is not our intention to imply that any of the components in this catalog in connection with an engine make or model are made by any engine manufacturer.

Copyright 2010
Commercial Vehicle Systems
Haldex Brake Products Corporation
10930 N. Pomona Ave.
Kansas City, MO 64153

All rights reserved.
Materials may only be reproduced with written permission of Commercial Vehicle Systems.

Haldex/Midland (New/Remanufactured)

DRYest® Air Dryer



Features:

- Extended Service Air Dryer for System Purge Application.
- Multi–Treatment Cartridge employs 5 stages of cleaning to ensure dry system air.
- Integrated turbo protection.
- Built–in heater prevents freezing and damage to the dryer.
- Extra compact size allows for easy installation anywhere.
- Integrated governor option increases dryers performance and reduces application costs.
- Integrated muffler allows for superior quiet operation.

Specifications:

Stages of Drying	5
Inlet Temperature	–40° F to +170° F
Maximum Working Pressure	170 psi
Safety Relief Pressure	150 psi
12, 24 Volt Heater	90W
Drying Capacity	5.8 SCF
Desiccant Cartridge	3.5 lbs.
Assembly Weight	13.5 lbs.
Governor Cut–Out	125 ± 5 psi
Maximum Inlet Airflow	35 SCFM
Pressure Drop	35 SCFM/175 psi = 3 psi
Regeneration Valve System Purge Drain	Silencer
Turbo Protection	35 psi Inlet Required

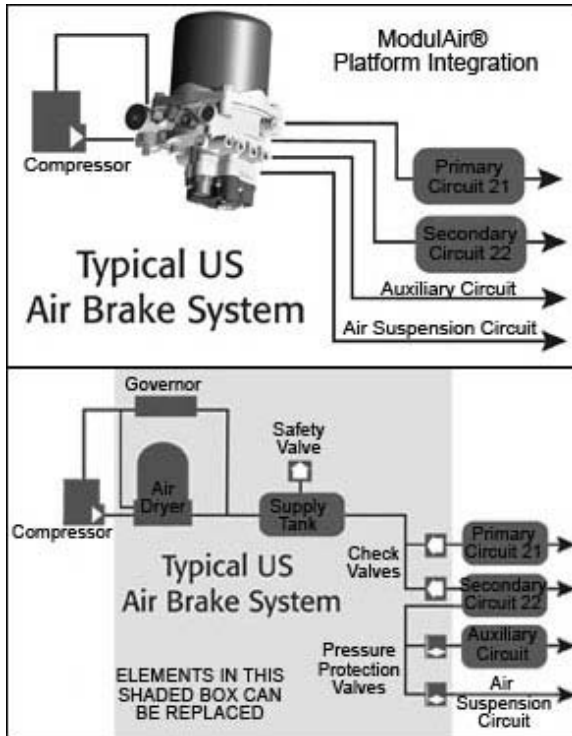
Notes:

- 1) Fits in 12" x 6–3/4" x 6–3/4" Envelope. This includes 1/2" clearance needed for desiccant cartridge change.

SKU#	Product Description	Heater	System Regeneration	Integrated Governor	Notes	OEM Part Number
DA35100	DRYest® Air Dryer	12 Volt	Yes	No	–	N4260
DA35105	DRYest® Air Dryer	24 Volt	Yes	No	–	N4260A
DA35110	DRYest® Air Dryer	12 Volt	No	No	For use with external purge tank.	N4260B
DA35115	DRYest® Air Dryer	24 Volt	No	No	For use with external purge tank.	N4260C
DA35200	DRYest® Air Dryer	12 Volt	Yes	Yes	–	N4261
DA35205	DRYest® Air Dryer	24 Volt	Yes	Yes	–	N4261A
DA35210	DRYest® Air Dryer	12 Volt	No	Yes	For use with external purge tank.	N4261B
DA35215	DRYest® Air Dryer	24 Volt	No	Yes	For use with external purge tank.	N4261C
DA35220	DRYest® Air Dryer	None	No	Yes	For use with external purge tank.	N4261D

Haldex/Midland (New/Remanufactured)

ModulAir® Dryer



Features:

- Common platform for multiple vehicle installations
- Suitable for worldwide markets due to modularity
- Air suspension integration (optional)
- Reduction of overall system installation time
- Reduction of test time (end of line)
- Reduction of pneumatic end electrical connections
- Space saving due to compact design

Specifications:

Drying capacity (SAEJ2384)	9.2 scf
Assembly weight	17.4 lbs.
Installation envelope	13" H x 10" W x 8.5" D
Stages of drying	5
Inlet air temperature range	-40° F to 170° F
Maximum working pressure	170 psi
Safety relief pressure	175 psi
Pressure drop	
Turbo protection pressure	44 ± 8 psi
Regeneration type	DA36100 System / DA36200 External Purge Tank
Physical mounting	SAEJ2383 (picture 2 using Haldex universal bracket)

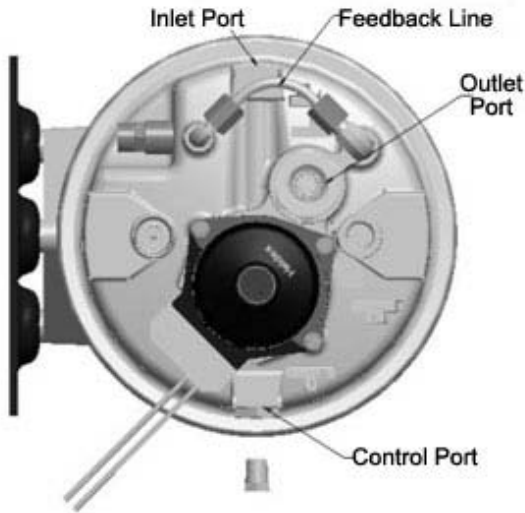
Notes:

- 1) All ModulAir® dryers contain the Haldex exclusive MTC (Multi-Treatment Cartridge) that maximizes drying capacity and includes a coalescing filter.
- 2) ModulAir® integrates the system check valves, air governor and regeneration system without a separate purge tank, minimizing space requirements. ModulAir® reduces maintenance with fewer components and fewer failure points.
- 3) Service is easy with all replaceable parts accessible while dryer is in installed position.

SKU#	Product Description	# of Protected Circuits	Voltage for Heater	Power Consumption for Heater	Heater Connector	Governor Control	Governor Cut-in / Range
DA36100	ModulAir® Dryer – SP (System Purge)	4	12 VDC or 24 VDC	90 W	Weather Pack Female	Mechanical	Cut-in: 105 psi 5 psi Range: 22.5 psi ± 7.5 psi
DA36200	ModulAir® Dryer – EP (External Purge)	4	12 VDC or 24 VDC	90 W	Weather Pack Female	Mechanical	Cut-in: 105 psi 5 psi Range: 22.5 psi ± 7.5 psi

Haldex/Midland (New/Remanufactured)

PURest® Air Dryer



DA34200

Features:

- Multi-Treatment Cartridge employs 5 stages of cleaning to ensure dry system air.
- Universal mounting bracket eases retro-fit installations. Fits Pure Air Plus, DRYest, AD type and SS type air dryer bolt patterns.
- Integrated turbo protection.
- Built-in heater prevents freezing and damage to the dryer.

Specifications:

Stages of Drying	5
Internal Purge Volume	210 cu. in.
Inlet Air Temperature	-40° F to +175° F
Maximum Working Pressure	150 psi
Safety Relief Pressure	175 psi
Secondary Pressure Protection	235 psi
12, 24 Volt Heater	95W
Flow Capacity	34 SCFM
Desiccant Cartridge	3.5 lbs.
Assembly Weight	22.0 lbs.
Integrated Turbo Protection Pressure Drop	2 psi @ 15 SCFM/120 psi

Notes:

- 1) Fits in 17-3/4" x 9-3/4" x 9-1/2" Envelope. This includes 1/2" clearance needed for desiccant cartridge change.
- 2) DA34200 for Holset "E" Type Compressor application.

SKU#	Product Description	Heater	Notes	OEM Part Number
DA34100	PURest® Air Dryer	12 Volt	with Bracket, Inlet Port – Left	N4253AA
DA34105	PURest® Air Dryer	None	with Bracket, Inlet Port – Left	N4253AD
DA34110	PURest® Air Dryer	24 Volt	with Bracket, Inlet Port – Left	N4253AB
DA34160	PURest® Air Dryer	12 Volt	without Bracket, Inlet Port – Left	N4253J
DA34165	PURest® Air Dryer	12 Volt	with 200 psi Pressure Relief with Bracket, Inlet Port – Left	N4253AH
DA34200	PURest® Air Dryer	12 Volt	with "Econ" Valve with Bracket, Inlet Port –Left	-
DA34310	PURest® Air Dryer	24 Volt	Inlet Port – Right	N4254AB

Haldex/Midland (New/Remanufactured)

Pure Air Plus™ Air Dryer



Features:

- Compact and lightweight.
- Built-in Turbo-Saver™ Valve reduces engine horsepower loss for improved fuel mileage.
- Replaceable Coalescing Filter features advanced state-of-the-art filtration system to remove even the smallest oil particles and contaminants.
- Fast, easy, economical on-vehicle servicing.

Specifications:

Length	15.1"
Maximum Width	9.31"
Heater	95 Watt Thermostatic
Primary Material	Aluminum
Drying Method	Coalescence/Desiccant
Burst Rating	300 PSI
Mounting	Bracket with Stainless Steel Clamp Band
Mounting Position	Vertical
Maximum Compressor Capacity	25 SCFM

Notes:

- 1) Mounting Hardware not included except on **DA33100BX**.
- 2) Pure Air Plus™ Repair Kits and Replacement Parts listed later in this section.

SKU#	Product Description	Heater Voltage	Canister Size	Inlet Port	Outlet Port	Governor Port	Exhaust Port	Approx. Weight	Notes	Core Group
DA33100BX	Remanufactured Pure Air Plus™ Air Dryer	12 Volt	2 lbs.	1/2"	1/2"	1/8"	1" Hose	22.0 lbs.	Standard – Mounting Bracket Included	330
DA33100X	Remanufactured Pure Air Plus™ Air Dryer	12 Volt	2 lbs.	1/2"	1/2"	1/8"	1" Hose	21.9 lbs.	Standard	330
DA33110X	Remanufactured Pure Air Plus™ Air Dryer	24 Volt	2 lbs.	1/2"	1/2"	1/8"	1" Hose	22.5 lbs.	Standard	330
DA33140X	Remanufactured Pure Air Plus™ Air Dryer	12 Volt	3 lbs.	1/2"	1/2"	1/8"	1" Hose	27.1 lbs.	Holset – Heavy Duty	330
DA33200X	Remanufactured Pure Air Plus™ Air Dryer	12 Volt	2 lbs.	1/2"	1/2"	1/8"	1" Hose	22.6 lbs.	Standard for Applications with Holset "E" Type Compressor	330
DA33240X	Remanufactured Pure Air Plus™ Air Dryer	12 Volt	3 lbs.	1/2"	1/2"	1/8"	1" Hose	28.0 lbs.	Standard for Applications with Holset "E" Type Compressor	330

Haldex/Midland (New/Remanufactured)

Pure Air TM Air Dryer



Features:

- Triple action – cools, filters and dries the air.
- May be mounted vertically or horizontally.
- Serviceable from either end.

Specifications:

Length	18.25"
Maximum Width	7.49"
Heater	60 Watt Thermostatic
Primary Material	Aluminum
Drying Method	Coalescence/Desiccant
Mounting	Horizontal or Vertical
Burst Rating	500 PSI
Max. Compressor Capacity	24 SCFM
Air Ports	1/2" Pipe

Notes:

- 1) Pure Air TM Repair Kits and Replacement Parts listed later in this section.

SKU#	Product Description	Heater Voltage	Inlet Port	Outlet Port	Governor Port	Exhaust Port	Approx. Weight	OEM Part Number	Core Group
KN33000	Pure Air TM Air Dryer	12 Volts	1/2"	1/2"	1/8"	1" Hose	26.5 lbs.	N4244	-
KN33000X	Remanufactured Pure Air TM Air Dryer	12 Volts	1/2"	1/2"	1/8"	1" Hose	26.5 lbs.	N4244	330
KN33002	Pure Air TM Air Dryer – Compact Size	12 Volts	1/2"	1/2"	1/8"	1" Hose	18.6 lbs.	N4245	-
KN33010	Pure Air TM Air Dryer	24 Volts	1/2"	1/2"	1/8"	1" Hose	25.9 lbs.	N4244A	-

Haldex/Midland (New/Remanufactured)

DRYest® Service Kits



SKU#	Product Description	Notes
47110007	Pressure Control Check Valve for DRYest® Air Dryer	-
47110015	Packard Electrical Connector for DRYest® Air Dryer	with 12" Pigtail
47110020	Heater Kit 12 Volt for DRYest®, ModulAir® Air Dryer	with Pigtail and Splice Connectors
47110021	Heater Kit 24 Volt for DRYest®, ModulAir® Air Dryer	with Pigtail and Splice Connectors
47110022	Check Valve Assembly Kit for DRYest® Air Dryer	-
47177343	Valve Kit Assembly for DRYest® Air Dryer	with Integrated Governor (125 psi)
47177434	Regeneration Valve for DRYest®, ModulAir® Air Dryer	-
47177442	Valve Kit Assembly for DRYest® Air Dryer	Does not contain internal governor.
47178106	Turbo Protection Valve for DRYest® Air Dryer	External
47178199	Heater 24 Volt for DRYest® Air Dryer	Heater Only
47178223	Heater 12 Volt for DRYest® Air Dryer	Heater Only
47178964	MTC Desiccant Cartridge Kit for DRYest®, ModulAir® Air Dryer	Included components are mounting bolts, o-ring, bolt anti-seize lubricant and installation instructions

05-AIR DRYERS/AIR LINE

Air Dryers

47187348	Valve Kit Assembly for DRYest® Air Dryer	with Integrated Governor (150 psi) OEM# 471-87348
47189189	Turbo Protection Valve Kit for DRYest® Air Dryer	Integrated
47190361	Safety Valve for DRYest® Air Dryer	11 Bar
DQ6054	O-Ring Kit for PURest®, DRYest®, ModulAir® Cartridge	10 pack

Haldex/Midland (New/Remanufactured)

DRYest® Purge Tank Kit



SKU#	Product Description	Hose	Fittings	Tank Size	Application
47010001	Purge Tank Kit for DRYest® Air Dryer	6'	Brass	4.5 Liter	DA35100, DA35105, DA35110, DA35115, DA35200, DA35205, DA35210, DA35215, DA35220

Haldex/Midland (New/Remanufactured)

DRYest® Valve Cap



SKU#	Product Description	Length	Width	Depth	Weight	Application	OEM Part Number
47110024	White Plastic Valve Cap for DRYest® Air Dryer	1/2"	1-1/2"	3/4"	0.2 lbs.	Fits under MTC cartridge in DRYest Air Dryer	471-10024

Haldex/Midland (New/Remanufactured)

ModulAir® Service Kits



SKU#	Product Description	Notes
47110020	Heater Kit 12 Volt for DRYest®, ModulAir® Air Dryer	with Pigtail and Splice Connectors
47110021	Heater Kit 24 Volt for DRYest®, ModulAir® Air Dryer	with Pigtail and Splice Connectors
47177434	Regeneration Valve for DRYest®, ModulAir® Air Dryer	-
47178964	MTC Desiccant Cartridge Kit for DRYest®, ModulAir® Air Dryer	Included components are mounting bolts, o-ring, bolt anti-seize lubricant and installation instructions
DQ6051	Universal Mounting Bracket	-
DQ6054	O-Ring Kit for PURest®, DRYest®, ModulAir® Cartridge	10 pack
DQ6055	Turbo Protection Valve for ModulAir® Dryer	OEM# 950310015
DQ6056	Unloader/Purge Valve for ModulAir® Dryer	OEM# 950310016
DQ6058	Tank Kit for ModulAir® Dryer – Kenworth T Series	With dryer mounted forward of right front wheel.
DQ6060	Tank Kit for ModulAir® Dryer – Kenworth W900 Series	With dryer mounted in front of cab.
DQ6061	Tank Kit for ModulAir® Dryer – Navistar Pro Series	-
DQ6063	Tank Kit for ModulAir® Dryer – Peterbilt	-
DQ6064	Tank Kit for ModulAir® Dryer – Kenworth "Behind the Cab"	-

Haldex/Midland (New/Remanufactured)

PURest® Service Kits



SKU#	Product Description	Notes
DA33115	Purge Assembly Kit for Pure Air Plus™ and PURest® Air Dryer	–
DQ6013	12V Heater Kit for Pure Air Plus™ and PURest® Air Dryer	12 Volt – For dryers date coded after 8/97; includes Heater 102655DP.
DQ6014	24V Heater Kit for Pure Air Plus™ and PURest® Air Dryer	24 Volt – For dryers date coded after 8/97; includes Heater 102655DT.
DQ6023	Purge Shield Kit for Pure Air Plus™ and PURest® Air Dryer	–
DQ6027	Extended Purge Kit (Tank) for Pure Air Plus™ and PURest® Air Dryer	Kit contains: (2) Tube and Fitting Assembly, (1) 1/4" Drain Valve, (1) 3/8" Pipe Plug (1) Air Reservoir
DQ6037	Differential Feedback Check Valve Kit for Pure Air Plus™ and PURest® Air Dryer	–
DQ6050	MTC Desiccant Cartridge Kit for PURest® Air Dryer	–
DQ6051	Universal Mounting Bracket	–
DQ6052	Turbo Protection Valve Kit for PURest® Air Dryer	–
DQ6053	Lower Housing Repair Kit for PURest® Air Dryer	–
DQ6054	O–Ring Kit for PURest®, DRYest®, ModulAir® Cartridge	10 pack
RN60G	One–Way Check Valve Kit for Pure Air™, Pure Air Plus™ and PURest® Air Dryer	Outlet check valve kit.

Haldex/Midland (New/Remanufactured)

Pure Air Plus TM Service Kits



SKU#	Product Description	Notes
300074E	Mounting Bracket for Pure Air Plus TM	OEM# 300074E
D331000	Nipple for Pure Air Plus TM	Pre-1996 Models.
DA33115	Purge Assembly Kit for Pure Air Plus TM and PURest [®] Air Dryer	-
DA33125	3 lb. Desiccant Cartridge Only for Pure Air Plus TM	Heavy Duty OEM# 201160B
DQ6020	Lower Housing Repair Kit for Pure Air Plus TM	Includes: Purge, Turbo Saver TM , One-Way Check Valve Assemblies.
DQ6023	Purge Shield Kit for Pure Air Plus TM and PURest [®] Air Dryer	-
DQ6024	Clamp Band Kit for Pure Air Plus TM	OEM# 102760A
DQ6026	General Service Kit for Pure Air Plus TM	Includes: Desiccant Cartridge, Coalescing Filter, Relief Valve, Purge Shield, Associated Hardware
DQ6027	Extended Purge Kit (Tank) for Pure Air Plus TM and PURest [®] Air Dryer	Kit contains: (2) Tube and Fitting Assembly, (1) 1/4" Drain Valve, (1) 3/8" Pipe Plug (1) Air Reservoir
DQ6028	Heavy Duty Kit (Cartridge and Tank) for Pure Air Plus TM	Kit contains: (2) Tube and Fitting Assembly, (1) 1/4" Drain Valve, (1) 3/8" Pipe Plug, (1) Air Reservoir, (1) Desiccant Canister, (1) O-Ring, (1) 1/4 oz. Grease.
DQ6031	Turbo Kit for Pure Air Plus TM	-
DQ6032	Coalescing Filter Kit for Pure Air Plus TM	Includes (1) Coalescing Filter, (1) Small O-Ring, (1) Desiccant Cannister Gasket (new style).

05–AIR DRYERS/AIR LINE

Air Dryers

DQ6036	2 lb. Desiccant Cartridge Only for Pure Air Plus [™]	6–1/2" Tall
DQ6037	Differential Feedback Check Valve Kit for Pure Air Plus [™] and PURest® Air Dryer	–
RN60G	One–Way Check Valve Kit for Pure Air [™] , Pure Air Plus [™] and PURest® Air Dryer	Outlet check valve kit.

Haldex/Midland (New/Remanufactured)

Pure Air™/Pure Air Plus™ Heater Kits



DQ6011 / DQ6012



DQ6013 / DQ6014



RN60N / RN60P

When RN60N and RN60P are used on pre-1989 production, the lower cover assembly must also be replaced.

SKU#	Product Description	Notes
DQ6011	12V Heater Kit for Pure Air Plus™ Air Dryer	12 Volt – For dryers date coded prior to 9/97; includes heater #102655FE.
DQ6012	24V Heater Kit for Pure Air Plus™ Air Dryer	24 Volt – For dryers date coded prior to 9/97; includes Heater #102655FF.
DQ6013	12V Heater Kit for Pure Air Plus™ and PURest® Air Dryer	12 Volt – For dryers date coded after 8/97; includes Heater 102655DP.
DQ6014	24V Heater Kit for Pure Air Plus™ and PURest® Air Dryer	24 Volt – For dryers date coded after 8/97; includes Heater 102655DT.
RN60N	12V Heater Kit for Pure Air™ Air Dryer	Kit contains 12 Volt Heater Assembly, Heater Element Cover and a Screw.
RN60P	24V Heater Kit for Pure Air™ Air Dryer	Kit contains 24 Volt Heater Assembly, Heater Element Cover and a Screw.

Haldex/Midland (New/Remanufactured)

Pure Air™ Service Kits



SKU#	Product Description	Notes
102642	Retainer (Cover) for Pure Air™	-
D300074	Aluminum Bracket for Pure Air™	Kit includes: (1) Alum. Bracket (2 required to mount).
D330000	Canister for Pure Air™	OEM# 400158
DQ6025	Elbow Kit with Boot for Pure Air™	-
RN60	Minor Service Kit for Pure Air™	-
RN60A	Major Kit for Pure Air™	Kit contains: (1) Filter, (1) Desiccant Bag, (8) O-Rings, (1) Check Valve Seal, (1) Purge Valve Seal (2) Grease, Silicone.
RN60D	Lower Cover Assembly for Pure Air™	12 Volt
RN60E	Lower Cover Assembly for Pure Air™	24 Volt
RN60F	Purge Valve Kit for Pure Air™	-
RN60G	One-Way Check Valve Kit for Pure Air™, Pure Air Plus™ and PURest® Air Dryer	Outlet check valve kit.
RN60H	Minor Kit for Compact Pure Air™	-
RN60J	Major Kit for Compact Pure Air™	-
RN60K	Elbow Kit for Pure Air™	Includes (3) screws.
RN60S	Top Cover Assembly for Pure Air™	-

Haldex/Midland (New/Remanufactured)

Pure Air TM Filter



SKU#	Product Description	Mounting Measurements	Overall Height	Diameter	Application	OEM Part Number
100696E	Air Cleaner Filter	-	-	-	KN33000 KN33002 KN33010 KN33011 KN33012 KN19040	-

Haldex/Midland (New/Remanufactured)

Safety Valve – Pure Air™/Pure Air Plus™, PURest, ModulAir®



Short

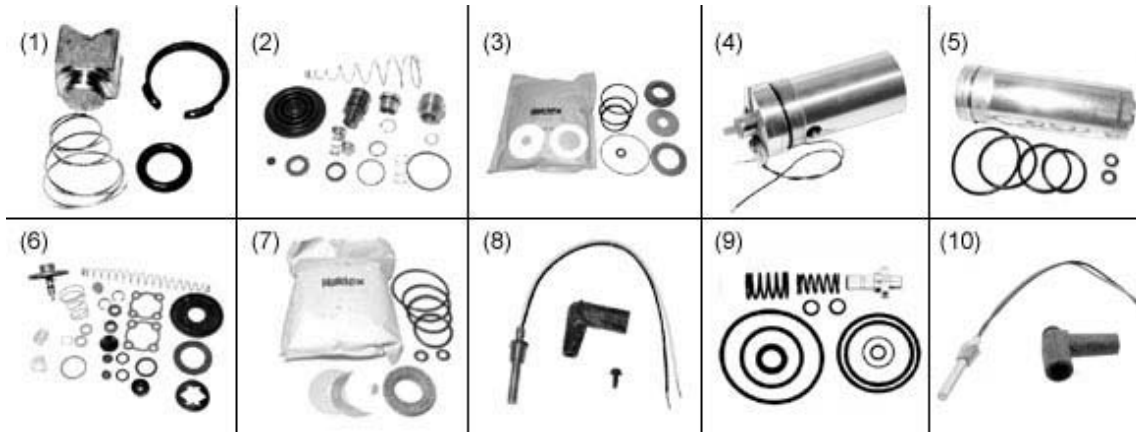


Closed

SKU#	Product Description	Body Style	Thread Size	PSI	Notes	OEM Part Number
KN31250	Pressure Relief Valve	Short	3/8"	150	Pure Air	N1178BB
KN31527	Pressure Relief Valve	Closed	3/8"	175	Pure Air Plus, PURest, ModulAir®	N1178EE
KN31529	Pressure Relief Valve	Closed	3/8"	200	Pure Air Plus, PURest, ModulAir® – fit and functionally the same as KN31527 but has a higher pressure setting. Has felt sleeve (not shown) to protect vent holes from road debris.	N1178EH

Haldex/Midland (New/Remanufactured)

Aerofiner II and III Service Kits



SKU#	Product Description	Application	OEM #	Pic. #
RN94	Check Valve Repair Kit for Aerofiner II	KN33550, KN33540, KN33530, KN33520, KN33510, KN33500	RN94	1
RN950	Check Valve Repair Kit for Aerofiner III	KN33600, KN33610, KN33620, KN33630, KN33640, KN33650, KN33660, KN33670, KN33680, KN33690	-	2
RN951	Desiccant Recharge Kit for Aerofiner III	KN33600, KN33610, KN33620, KN33630, KN33640, KN33650, KN33660, KN33670, KN33680, KN33690	-	3
RN952	Purge Valve Repair Kit for Aerofiner III	KN33600, KN33610	KAF952	-
RN953	Canister Replacement Kit for Aerofiner III	KN33600, KN33610, KN33620, KN33630, KN33640, KN33650, KN33660, KN33670, KN33680, KN33690	-	5
RN954	Top Service Mounting Clamp Kit for Aerofiner III	KN33600, KN33620, KN33640, KN33660, KN33680	-	-
RN956	12 Volt Heater/Purge Valve for Aerofiner III	KN33620, KN33630, KN33660, KN33670	KAF956	4
RN957	24 Volt Heater/Purge Valve for Aerofiner III	KN33640, KN33650, KN33680, KN33690	KAF957	-
RN969	Bulk Recharge Kit for Aerofiner II	KN33550, KN33540, KN33530, KN33520, KN33510, KN33500	RN969	7
RN970	Purge Valve Repair Kit for Aerofiner II	KN33550, KN33540, KN33530, KN33520, KN33510, KN33500	RN970	9
RN973	Recharge Canister Kit for Aerofiner II	KN33550, KN33540, KN33530, KN33520, KN33510, KN33500	RN973	5
RN975	Standard Heater 12V, 35W, 3.0 Amps for Aerofiner II	KN33510	RN975	10
RN976	Standard Heater 24V, 35W, 1.5 Amps for Aerofiner II	KN33520	RN976	10
RN977	Standard Heater with Thermostat 12V, 35W, 3.0 Amps for Aerofiner II	KN33530	-	8
RN978	Standard Heater with Thermostat 24V, 35W, 1.5 Amps for Aerofiner II	KN33540	-	8

Competitive (New/Remanufactured)

WABCO SS1200



Features:

- Lightweight
- Compact 1200 Series
- Replaceable Spin-On Cartridge
- Metri-Pack Type Heater Connector

Specifications:

Height 11.2"

Notes:

- 1) 955300X does not have a Regeneration Valve.

SKU#	Product Description	MFG. #	Heater Voltage	Supply	Delivery	Control	Approx. Weight	Core Group
955205	New WABCO SS1200 Air Dryer	R955205 R955005	12 Volt	1/2" – 14 FPT	1/2" – 14 FPT	1/4" – 18 FPT	15 lbs.	-
955205X	Remanufactured WABCO SS1200 Air Dryer	R955205 R955005	12 Volt	1/2" – 14 FPT	1/2" – 14 FPT	1/4" – 18 FPT	15 lbs.	165WAB
955206X	Remanufactured WABCO SS1200 Air Dryer	R955206	24 Volt	1/2" – 14 FPT	1/2" – 14 FPT	1/4" – 18 FPT	11.1 lbs.	165WAB
955300X	Remanufactured WABCO SS1200P Air Dryer – requires an External Purge Tank (not supplied)	955300	12 Volt	1/2" – 14 FPT	1/2" – 14 FPT	1/4" – 18 FPT	15 lbs.	166WAB

Competitive (New/Remanufactured)

WABCO SS1200 Repair Kits

Product Image Not Available

SKU#	Product Description	Application
950013K	Turbo Cut–Off Valve Kit for WABCO SS1200 Air Dryer	955205X, 955206X
950014K	Purge Valve Kit for WABCO SS1200 Air Dryer	955205X, 955206X
950015K	Heater Kit 12 Volt for WABCO SS1200 Air Dryer	955205X, 955206X
950017K	Outlet Check Valve Kit for WABCO SS1200 Air Dryer	955205X, 955206X

Competitive (New/Remanufactured)

Bendix® AD-2



Features:

- Desiccant type.
- In-line filtration system.
- Automatic drain valve which is controlled by the governor.

Specifications:

Approximate Weight 25 lbs.

Notes:

- 1) Air Dryer not supplied with mounting bracket.

SKU#	Product Description	Heater Voltage	Inlet Port	Outlet Port	Plugged Port	Core Group
286934X	Remanufactured Bendix® AD-2 Air Dryer	12 Volt	1/2"	1/2"	1/2"	153AD2
286936X	Remanufactured Bendix® AD-2 Air Dryer	24 Volt	1/2"	1/2"	1/2"	153AD2

Competitive (New/Remanufactured)

Bendix® AD-4



Features:

- Desiccant type.
- In-line filtration system.
- Automatic drain valve which is controlled by the governor.

Specifications:

Approximate Weight 32.6 lbs.

Notes:

- 1) Air Dryer not supplied with mounting bracket.

SKU#	Product Description	Heater Voltage	Heater Watts	Supply Port	Delivery Port	Control Port	Core Group
65041X	Remanufactured Bendix® AD-4 Air Dryer	12 Volt	60 Watt	1/2"	1/2"	1/4"	154AD4

Competitive (New/Remanufactured)

Bendix® AD-9



Features:

- Desiccant type.
- In-line filtration system.
- Automatic drain valve which is controlled by the governor.

Specifications:

Approximate Weight 28 lbs.

SKU#	Product Description	Heater Voltage	Heater Watts	Supply	Delivery	Control	Notes	Core Group
109685HX	Reman. Bendix® AD-9 Air Dryer with Bracket and Wiring Harness	12 Volt	75 Watt	1/2" PT	1/2" PT	1/4" PT	Includes Wiring Harness and Mounting Bracket Replaces Bendix part number 5009378	157AD9
109685X	Reman. Bendix® AD-9 Air Dryer	12 Volt	75 Watt	1/2" PT	1/2" PT	1/4" PT	Replaces 65225X	157AD9
109687X	Reman. Bendix® AD-9 Air Dryer	12 Volt	75 Watt	3/4" PT	3/4" PT	1/4" PT	Replaces 65226	157AD9
109688HX	Reman. Bendix® AD-9 Air Dryer with Extended Purge, Bracket and Harness	24 Volt	75 Watt	3/4" PT	3/4" PT	1/4" PT	Extended Purge Volume	157AD9
109688X	Reman. Bendix® AD-9 Air Dryer with Extended Purge	24 Volt	75 Watt	3/4" PT	3/4" PT	1/4" PT	Extended Purge Volume	157AD9
109689X	Reman. Bendix® AD-9 Air Dryer with Soft Seat Purge	12 Volt	75 Watt	1/2" PT	1/2" PT	1/4" PT	Soft Seat	157AD9
65224	New Bendix® AD-9 Air Dryer with Soft Seat Purge	24 Volt	75 Watt	1/2" PT	3/4" PT	1/4" PT	Includes Wiring Harness and Mounting Bracket	-
65224X	Reman. Bendix® AD-9 Air Dryer with Soft Seat Purge	24 Volt	75 Watt	1/2" PT	3/4" PT	1/4" PT	Not supplied with Mounting Bracket	157AD9
65225	New Bendix® AD-9 Air Dryer	12 Volt	75 Watt	1/2" PT	1/2" PT	1/4" PT	Includes Wiring Harness and Mounting Bracket	-
65228X	Reman. Bendix® AD-9 Air Dryer with Extended Purge	12 Volt	75 Watt	3/4" PT	3/4" PT	1/4" PT	Extended Purge Volume	157AD9
65499X	Reman. Bendix® AD-9 Air Dryer - Discharge Line Unloader (DLU)	12 Volt	75 Watt	1/2" PT	1/2" PT	1/4" PT	Discharge Line Unloader (DLU)	157AD9

Air Dryers

05-AIR DRYERS/AIR LINE

65605X	Reman. Bendix® AD-9 Air Dryer – Discharge Line Unloader (DLU)	24 Volt	75 Watt	1/2" PT	1/2" PT	1/4" PT	Discharge Line Unloader (DLU)	157AD9
65647WX	Reman. Bendix® AD-9 Air Dryer – Drop In, Holset QE Applications with Port Plugged	12 Volt	75 Watt	1/2" PT	1/2" PT	1/4" PT	Drop In, Holset QE Applications with Port Plugged	157AD9
65647X	Reman. Bendix® AD-9 Air Dryer – Drop In, Holset QE Applications	12 Volt	75 Watt	1/2" PT	1/2" PT	1/4" PT	Drop In, Holset QE Applications	157AD9
65650	New Bendix® AD-9 Air Dryer with Soft Seat Purge	12 Volt	75 Watt	1/2" PT	1/2" PT	1/4" PT	Soft Seat Includes Wiring Harness and Mounting Bracket	-

Competitive (New/Remanufactured)

Bendix® AD-IP



Features:

- Desiccant Type
- In-line Filtration System
- Automatic Drain Valve which is controlled by the Governor

Specifications:

Height 12.5"
Width 9.25"

SKU#	Product Description	Heater Voltage	Supply	Delivery	Control	Approx. Weight	Notes	Core Group
109477RX	Remanufactured Bendix® AD-IP Air Dryer – CoreFree™	12 Volt	1/2"	1/2"	1/4"	26.2 lbs.	Does not include Mounting Bracket or Wiring Harness.	161ADIP
109477X	Remanufactured Bendix® AD-IP Air Dryer	12 Volt	1/2"	1/2"	1/4"	26.2 lbs.	Does not include Mounting Bracket or Wiring Harness.	161ADIP
109478X	Remanufactured Bendix® AD-IP Air Dryer	24 Volt	1/2"	1/2"	1/4"	27.0 lbs.	Does not include Mounting Bracket or Wiring Harness.	161ADIP
5000709X	Remanufactured Bendix® AD-IP Air Dryer – Drop In	12 Volt	1/2"	1/2"	1/4"	27.0 lbs.	Drop-in unit for Cummins Econ application	161ADIP
5000985X	Remanufactured Bendix® AD-IP Air Dryer	12 Volt	1/2"	1/2"	1/4"	26.2 lbs.	With Econ Port plugged.	161ADIP
5018227X	Remanufactured Bendix® AD-IP Air Dryer	12 Volt	1/2"	1/2"	1/4"	26.2 lbs.	Discharge Line Unloader (DLU) Style Purge Assembly	161ADIP

Competitive (New/Remanufactured)

Bendix® AD-IS



5004050X Shown

SKU#	Product Description	MFG. #	Heater Voltage	Heater Wattage	Supply	Delivery	Control	Approx. Weight	Core Group
5004050X	Remanufactured Bendix® AD-IS Air Dryer used on Dryer Reservoir Module (DRM™)	5004050	12 Volt	90 Watt	1/4"	1/4"	1/4"	15 lbs.	168ADIS
5010696X	Remanufactured Bendix® AD-IS Air Dryer with Extra Purge Volume	5010696	12 Volt	90 Watt	1/4"	1/4"	1/4"	15 lbs.	168ADIS

Competitive (New/Remanufactured)

Bendix® AD-SP



Features:

- System Purge

Specifications:

Height 11.07"
Width 5.62"

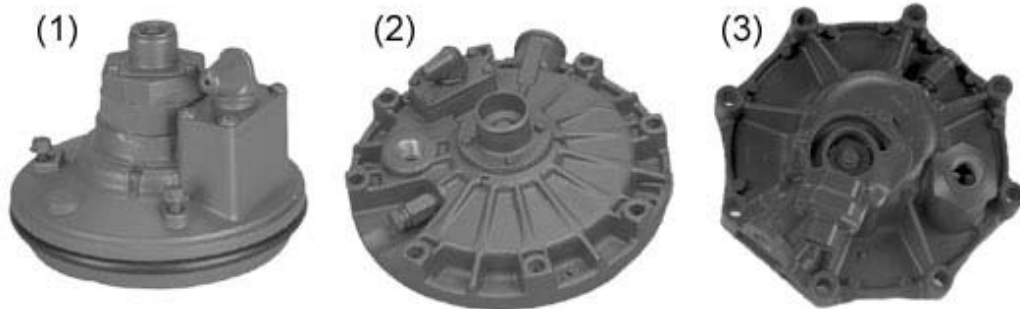
Notes:

- 1) DO NOT remove rear cover, components under cover are not serviceable.

SKU#	Product Description	MFG. #	Heater Voltage	Heater Wattage	Supply	Delivery	Control	Approx. Weight	Core Group
109991	New Bendix® AD-SP Air Dryer	109991 065691	12 Volt	90 Watt	1/2"	1/2"	1/4"	10.5 lbs.	-
109991X	Remanufactured Bendix® AD-SP Air Dryer	109991 065691	12 Volt	90 Watt	1/2"	1/2"	1/4"	11.4 lbs.	164ADSP
109992X	Remanufactured Bendix® AD-SP Air Dryer	109992 065694	24 Volt	90 Watt	1/2"	1/2"	1/4"	10.5 lbs.	164ADSP
800973X	Remanufactured Bendix® AD-SP Drop-In Air Dryer for Holsets QE Application	800973	12 Volt	90 Watt	1/2"	1/2"	1/4"	12 lbs.	164ADSP

Competitive (New/Remanufactured)

Bendix® End Cover Assembly



SKU#	Product Description	Voltage	Watts	Supply	Delivery	Approximate Weight	Picture	Core Group
103980K	Bendix® AD–4 End Cover Repair Kit	12 Volt	–	1/2"	1/2"	6.3 lbs.	2	–
286875RX	Remanufactured Bendix® AD–2 End Cover Assembly Corefree™	12 Volt	–	–	–	2.2 lbs.	1	–
286875X	Remanufactured Bendix® AD–2 End Cover Assembly	12 Volt	–	–	–	2.2 lbs.	1	149AD2
286876X	Remanufactured Bendix® AD–2 End Cover Assembly	24 Volt	–	–	–	2.2 lbs.	1	149AD2
65044X	Remanufactured Bendix® AD–4 End Cover Assembly	12 Volt	–	1/2"	1/2"	6.3 lbs.	2	155AD4
65231X	Remanufactured Bendix® AD–9 End Cover Assembly	12 Volt	75 Watt	1/2"	1/2"	6.7 lbs.	3	160AD9
65454X	Remanufactured Bendix® AD–9 End Cover Assembly	24 Volt	–	3/4"	3/4"	6.7 lbs.	3	160AD9
65654X	Remanufactured Bendix® AD–9 End Cover Assembly with Soft Seat Purge	12 Volt	75 Watt	1/2"	1/2"	6.7 lbs.	3	160AD9

Competitive (New/Remanufactured)

Bendix® Repair Kits

Product Image Not Available

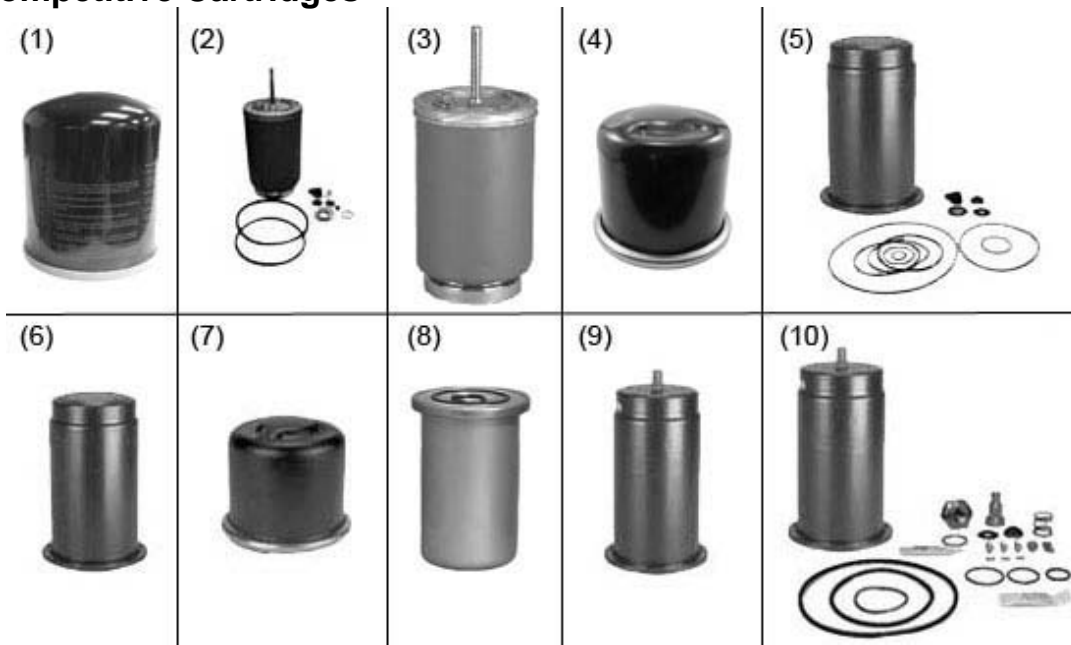
Notes:

- 1) 5003547K, 5005037K, 5005893K Purge Piston Retainer
Shoulder Bolt not supplied. Must utilize old bolt when
rebuilding purge valve assembly.

SKU#	Product Description	Application	Core Group
102657K	Thermostat for AD-2 and AD-4 Air Dryer	286934X, 286936X, 65041X	-
103818K	Purge Valve Repair Kit for AD-4 Air Dryer	65041X	-
103879K	Check Valve/Seal Repair Kit for AD-4 Air Dryer	65041X	-
104027K	Mounting Bracket for AD-4 Air Dryer	65041X	-
107695K	Mounting Bracket for AD-9 Air Dryer	109685X, 109689X, 65224X	-
107798K	Purge Valve (Minor) Maintenance Kit for AD-9 Air Dryer	109685X, 109685HX, 65224X, 65647X	-
107800K	Check Valve Repair Kit for AD-9 Air Dryer	109685X, 109689X, 65224X	-
109494K	Delivery Check Valve Kit for AD-IP Air Dryer	109477X, 5000709X	-
109495K	12 Volt Heater and Thermostat for AD-IP and AD-IS Air Dryer	109477X, 5000709X	-
109498K	Cartridge Bolt Kit for AD-IP Air Dryer	109477X, 5000709X	-
109569K	Purge Valve and Heater/Thermostat Repair Kit for AD-9 (12 V) Air Dryer	109685X	-
109578K	Heater and Thermostat Kit for AD-9 (12 V) Air Dryer	109685X, 109689X	-
109579K	Heater and Thermostat Kit for AD-9 (24 V) Air Dryer	65224X	-
109686X	Remanufactured Purge Valve and Heater/Thermostat Repair Kit for AD-9 (12 V) Air Dryer	109685X	167AD9
109869K	Wire Harness and Connector Repair Kit for AD-9 Air Dryer	109685X, 109689X, 65224X	-
109871K	Wiring Harness and Splice Kit for AD-IP Air Dryer	109477X, 5000709X	-
109995K	Purge Valve Kit for AD-SP Air Dryer	109991X, 109992X	-
287053K	Purge Valve Repair Kit for AD-2 Air Dryer	286934X, 286936X	-
287298K	Check Valve Repair Kit for AD-2 Air Dryer	286934X, 286936X	-
5001247K	Mounting Bracket Kit for AD-IP Air Dryer	109477X, 5000709X	-
5003547K	Purge Valve Repair Kit for AD-IP Air Dryer	109477X, 5000709X, 5000985X see notes**	-
5004338K	Purge Valve and Heater/Thermostat Repair Kit for AD-9 (24 V) Air Dryer	65224X	-
5004341X	Remanufactured Purge Valve Assembly (Soft Seat Purge) with 12 V Heater for AD-9 Air Dryer	109689X	167AD9
5004342X	Remanufactured Purge Valve Assembly (Soft Seat Purge) with 24 V Heater for AD-9 Air Dryer	65605X	167AD9
5005037K	Purge Valve Maintenance Kit (Major Hard Seat) for AD-9 Air Dryer	109685X, 109685HX, 65224X, 65647X see Notes**	-
5005893K	Purge Valve Maintenance Kit (Soft Seat) for AD-9 Air Dryer	109689X, ** see notes	-
800404K	Service Purge Valve for AD-IP and AD-IS Air Dryer	109477X, 5000709X	-
K022105K	Purge Valve Assembly Kit for Air Dryer	AD-IP/AD-IS (Dual U-Cup)	-

Competitive (New/Remanufactured)

Competitive Cartridges



SKU#	Product Description	Application	Approx. Weight	Pic. #	Core Group
101900MKX	Bendix® Desiccant Cartridge, Purge and Check Valve Kit	AD-2 Air Dryer	9.0 lbs.	2	148AD2
101900X	Remanufactured Bendix® Cartridge	AD-2 Air Dryer	7.8 lbs.	3	148AD2
104358MKX	Bendix® Desiccant Cartridge, Purge and Check Valve Kit	AD-4 Air Dryer	10.4 lbs.	5	150AD4
104358X	Remanufactured Bendix® Cartridge	AD-4 Air Dryer	9.7 lbs.	6	150AD4
107794MKX	Bendix® Desiccant Cartridge, Purge and Check Valve Kit	AD-9 Air Dryer	10.7 lbs.	10	158AD9
107794X	Remanufactured Bendix® Cartridge	AD-9 Air Dryer	9.7 lbs.	9	158AD9
107796	New Bendix® AD-9 Desiccant Cartridge	AD-9 Air Dryer	9.7 lbs.	9	-
109493RX	Remanufactured Bendix® Desiccant Cartridge – CoreFree™	AD-IP Air Dryer	15.9 lbs.	7	-
109493X	Remanufactured Bendix® Desiccant Cartridge	AD-IP Air Dryer	15.9 lbs.	7	159ADIP
109994K	New Bendix® Desiccant Cartridge	AD-SP and AD-IS Air Dryer	6.6 lbs.	1	-
5008414K	New Bendix® Desiccant Cartridge	AD-IS Air Dryer	7.0 lbs.	1	-
65624K	New AD-IP Bendix® Desiccant Cartridge for Air Dryers	AD-IP Air Dryer	15.9 lbs.	4	-
950011K	New WABCO Type Air Dryer Cartridge	WABCO SS1200 Air Dryer	6.6 lbs.	1	-
CART224	New Chicago Rawhide Desiccant Cartridge	C/R Turbo 2000 Air Dryer	9.9 lbs.	8	-

Consep® Condenser/Separator

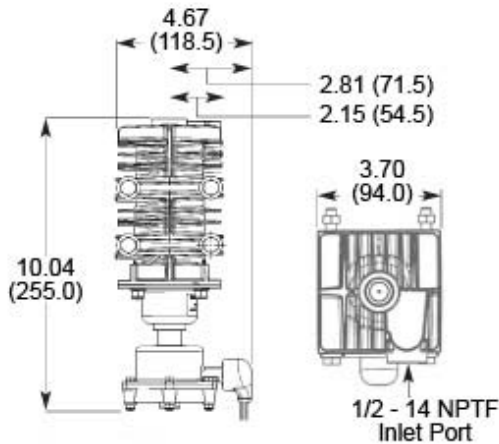


Features:

- Removes oil, liquid and other contaminants prior to passage through the air system.
- Purges contaminants with each brake application.
- Reduces corrosion and possible failure of air system components caused by contamination.
- Substantially increases air dryer desiccant life expectancy.
- Includes Haldex Automatic Drain Valve.

Specifications:

Weight	4.25 lbs.
Height	10"
Width	4.4"
Drain Capacity	1.3cc/purge @ 116 psi
Mounting Position	Vertical
Maximum Operating Pressure	290 PSI
Inlet Temperature	-40° F to 175° F
Port Sizes	1/2" – 14 NPTF
Rate Voltage & Power Consumption	24 Volt/0.5 AMP or 12 Volt/1 AMP



SKU#	Product Description	Heater Type
41210026	Consep® Condenser/Separator	12 Volt
41210029	Consep® Condenser/Separator	24 Volt

Consep® Service Kit



41277322



41290364



41092749
41092750

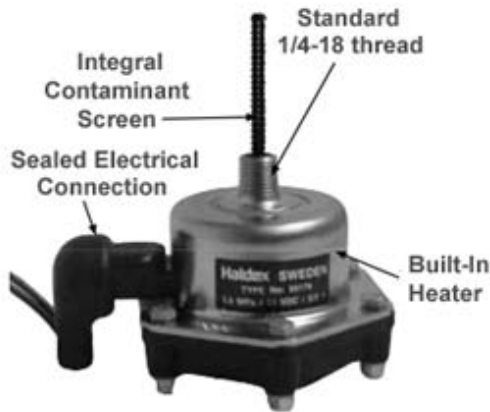
SKU#	Product Description	Notes	Application
41092749	ADV for Consep® Condenser/Separator	Complete ADV service part for Consep 24V	41210029
41092750	ADV for Consep® Condenser/Separator	Complete ADV service part for Consep 12V	41210026
41277322	Condenser Kit for Consep® Condenser/Separator	Kit contains o-rings and plastic insert for condenser only.	41210026 41210029
41290364	Seal Kit for Consep® Condenser/Separator	Kit contains washer, o-rings, hardware and internal components.	41210026 41210029

Drain Tube Kit for Consep® or ADV

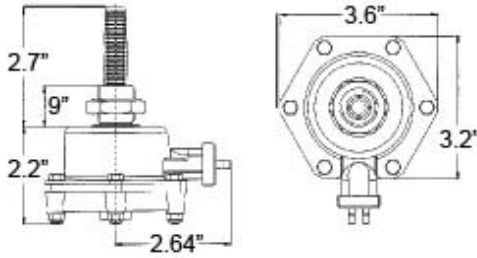


SKU#	Product Description	Side Outlet	Replaces	OEM Number
41178240	Drain Tube Kit for Consep® or Automatic Drain Valve	3/4"	Bottom Cover	411-78240

Automatic Drain Valve



Optional 90 degree Fitting



Features:

- Expels moisture with each brake application.
- Reduces possible build-up of harmful condensation and contaminants.
- Not dependent on compressor cycling.
- Built in heater, standard on all valves, prevents valve freeze-ups.
- Built in filter, standard on all valves, protects valve against contamination.

Specifications:

Weight	1.4 lbs.
Height	2.1"
Width	4.4"
Drain Capacity	1.3cc/purge @ 11.8 psi
Mounting Position	Vertical
Maximum Operating Pressure	300 PSI
Rate Voltage and Power Consumption	24 Volt/0.5 AMP or 12 Volt/1 AMP

Notes:

- 1) Optional relay switch and 90° fitting are included with each valve.

SKU#	Product Description	Heater Type
41010019	Automatic Drain Valve (ADV) 12V	12 Volt
41010021	Automatic Drain Valve (ADV) 24V	24 Volt

Automatic Drain Valve Service Kits



41071327



41176281
41176282



41183400
41183401



41189454

SKU#	Product Description	Application
41071327	Repair Kit for Automatic Drain Valve (ADV)	12 and 24 Volt ADVs
41176281	24 Volt Relay for Automatic Drain Valve (ADV)	24 Volt ADVs
41176282	12 Volt Relay for Automatic Drain Valve (ADV)	12 Volt ADVs
41183400	Timer Relay for Automatic Drain Valve (ADV)	24 Volt ADVs
41183401	Timer Relay for Automatic Drain Valve (ADV)	12 Volt ADVs
41189454	Coil Repair Kit for Automatic Drain Valve (ADV)	24 Volt ADVs
41189455	Coil Repair Kit for Automatic Drain Valve (ADV)	12 Volt ADVs

Alcohol Evaporator



Features:

- The alcohol evaporator is an automatic vaporizing device for keeping air lines and air reservoir free of ice.
- Pressure Protected.

Specifications:

- A75962** Safety Valve Only (OEM# AD75962)
- A39219** Repair Kit to replace rubber parts
- A48373** Tetraseal (OEM# AD48373)
- AE73494** Cover (OEM# AE73494)

Notes:

- 1) During the Antifreeze Season – before reactivating the evaporator, drain, disassemble, inspect and clean the unit of any sludge. Steam cleaning will not injure the unit.
- 2) For optimum use of alcohol mount unit 8 to 10 feet from Compressor and after Air Dryer if so equipped.

SKU#	Product Description	Capacity	Ports	Bracket Location	OEM Number
A72420	Alcohol Evaporator with Safety Valve	40 oz. of Methyl Alcohol	1/2" NPT	As shown in picture.	AE72420
A72421	Alcohol Evaporator with Safety Valve	40 oz. of Methyl Alcohol	1/2" NPT	Opposite side of location in picture.	AE72421
A72422	Alcohol Evaporator with Safety Valve	40 oz. of Methyl Alcohol	1/2" NPT	Both Sides	AE72422

Conventional Style



Aluminum Body / Steel Face



Cast Iron

Features:

- Aluminum Body/Steel Face and Cast Iron units available
- Steel face is zinc yellow dichromate and aluminum body is chromate conversion coated for corrosion resistance
- 11450, 11451, 11452, 11460, 11461, 11462 has internal filter installed to protect airline from contamination
- One piece cast iron

Specifications:

- 10024** Protect-O Seal
- 10028** Full Face Seal
- 10029** Compression Seal
- 10035** Filter
- D380310** Replacement Bracket for Cast Iron "Old Style"
- D380410** Replacement Bracket for Cast Iron "Old Style"

Notes:

- 1) Gladhand Accessories and Related Parts listed later in this section.

SKU#	Product Description	Configuration	Seal Style	OEM #	Standard Pack
11450	Aluminum Body / Steel Face Gladhands	Universal	10028	N20415MB	50
11451	Aluminum Body / Steel Face Gladhands	Emergency	10028	N20415NB	20
11452	Aluminum Body / Steel Face Gladhands	Service	10028	N20415PB	20
11460	Aluminum Body / Steel Face Gladhands	Universal	10028	N20415MB	10
11461	Aluminum Body / Steel Face Gladhands	Emergency	10028	N20415NB	10
11462	Aluminum Body / Steel Face Gladhands	Service	10028	N20415PB	10
A77770	Cast Iron Gladhands	Service	10029	-	1
A77771	Cast Iron Gladhands	Emergency	10029	-	1
A86300	Cast Iron Gladhands	Universal	10029	AD86300	1

Gladhands With Dust Covers



Features:

- Economical to lower fleet maintenance cost.
- Interchangeable with competitive gladhands.
- Designed for rugged off-highway applications.
- Manufactured to keep dirt, debris, bugs and other contaminants out of the air system.
- Color coded protective lids.

Typical – 11490 Shown

SKU#	Product Description	Configuration	Color Code	Ports	OEM Number
11489	Emergency Gladhand with Dust Cover	Emergency	Red	1/2" NPT	N20405KC
11490	Service Gladhand with Dust Cover	Service	Blue	1/2" NPT	N20405JC

Gladhand With Cable



Features:

- Use on rear of pups, seals system, keeps dirt out.

SKU#	Product Description	Notes	OEM Part Number
11400	Gladhand with Cable	Universal (non-polarized) gladhand with reinforced cable attached to aluminum handle.	10453110

Quick Release Gladhand



NIPPLE MOUNT



40° BRACKETED MOUNT

Features:

- Unique Patented Design with Built-In Quick Release Valve
- Heavy Duty Aluminum Body and Steel Face
- Zinc Yellow Dichromate Steel and Chromate Conversion Coated Aluminum
- Improves brake release timing by up to 67%

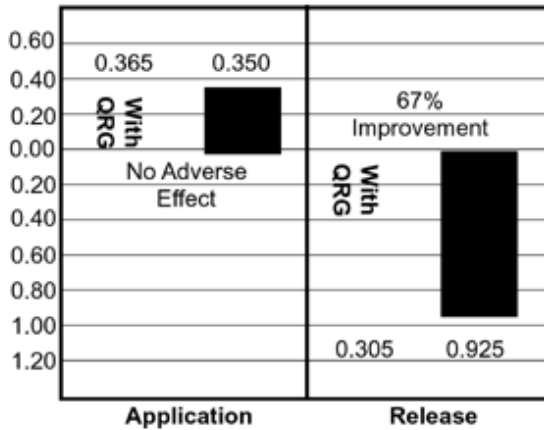
Specifications:

RN58A Repair Kit

Notes:

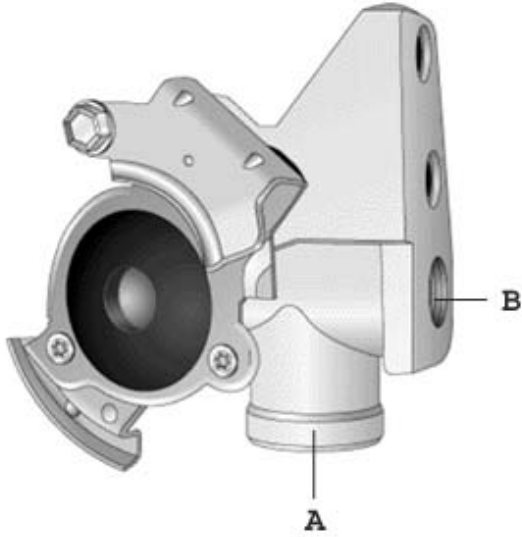
- 1) Replaces the Service Gladhand located on the nose of the trailer.
- 2) Gladhand Accessories and Related Parts listed later in this section.
- 3) The effectiveness of the QRG will vary between vehicle air systems and how well the systems are currently balanced.

Time (sec) **Typical Brake Timing Balance**



SKU#	Product Description	Repair Kit	OEM Number
11483	Nipple Mount QRG (Quick Release Gladhand)	RN58A	N20405EA
11484	40° Bracketed Mount QRG (Quick Release Gladhand)	RN58A	N20405FA

Bracket Mount Style



Features:

- Bracket mount eliminates the need for additional mounting panels – thus lowering cost.
- Heavy duty design stands out 4" from mounting surface.
- Available in either 3/8" and 1/2" dual port design.
- Polarized and color coded in emergency and service configurations for easy identification of airlines.
- Shipped both ports open and plugs loose for customer adaptation as needed.
- Emergency and service assemblies.
- Replacement seals and filters may be purchased separately.

Specifications:

- 10028** Full Face Seal
- 10029** Compression Seal
- 10035** Protect-O Seal
- D380310** Replacement Bracket
- D380410** Replacement Bracket

Notes:

- 1) Includes **10028** Dual Lip Seal, **10035** Filter and loose 3/8" or 1/2" plug.
- 2) Gladhand Accessories and Related Parts listed later in this section.

SKU#	Product Description	Configuration	Ports A & B	Seal Style	OEM Number
11440	Bracket Mount Style Hose Coupler (Gladhand)	Service	3/8-18	10028	N20405VD
11441	Bracket Mount Style Hose Coupler (Gladhand)	Emergency	3/8-18	10028	N20405TC N20405TB N20405TJ 20405T
11444	Bracket Mount Style Hose Coupler (Gladhand)	Service	1/2-14	10028	N20405VE
11445	Bracket Mount Style Hose Coupler (Gladhand)	Emergency	1/2-14	10028	N20405TA N20405TD N20405TL 20405T

Flexible Mount Style



11432 (Service) Shown

Features:

- Units shown without filter.
- 6" flexible hose installed to save maintenance time.
- Universal and polarized configuration available for fleet choice.
- Polarized units have the letter "E" or "S" diecast into the body of the gladhand for easy identification of emergency or service.

Specifications:

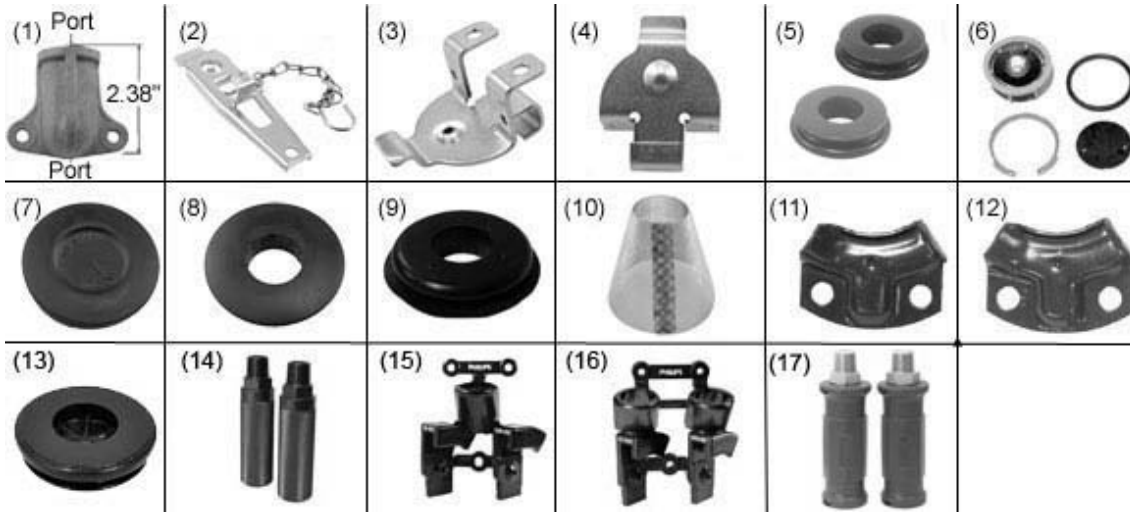
- 10028** Seal
- 10035** Filter
- D380310** Replacement Bracket
- D380410** Replacement Bracket

Notes:

- 1) Includes **10028** Double Lip Seal.
- 2) Gladhand Accessories and Related Parts listed later in this section.
- 3) Use Filter in Gladhands to keep airlines free of valve damaging contaminants.

SKU#	Product Description	Inlet Ports	Material Composition	Configuration	Seal Style
11430	Universal Hose Coupler (Gladhands) Flexible Mount Style	1/2" – 1/4" NPT	Aluminum/Steel	Universal	10028
11431	Polarized Hose Coupler (Gladhands) Flexible Mount Style	1/2" – 1/4" NPT	Aluminum/Steel	Emergency	10028
11432	Polarized Hose Coupler (Gladhands) Flexible Mount Style	1/2" – 1/4" NPT	Aluminum/Steel	Service	10028

Gladhand Accessories and Related Parts



SKU#	Product Description	Notes	OEM #	Pic. #
10024	Gladhand Protect-0 Seal	For Conventional Style	10440	7
10028	Gladhand Full Face Seal	For Flexible, Bracket Mount and Conventional Style	1509	8
10029	Gladhand Compression Seal	For Bracket Mount and Conventional Style	10405	9
10035	Gladhand Filter	For Flexible, Bracket Mount and Conventional Style	1048011	10
11312	Gladhand Elbow – Aluminum	2.16" Mounting Centers 3/8" x 3/8" Ports	10358	1
11401	Coupler with Chain	With Vent Hole Zinc and yellow dichromate bodies with chains attached.	N13048A	2
11402	Coupler with Chain	Without Vent Hole Zinc and yellow dichromate bodies with chains attached.	N13048	2
11403	Hose Support Bracket	For Current Design Flexstiks	10422	3
11404	Hose Support Bracket	For Early Design Flexastiks	1042201	4
11405	Gladhand Grips	Pair (red & blue)	-	17
BE120167	Gladhand Seal – Closed Type	-	-	13
BE12600	Coiled Air Gladhand Extensions	Pair (red & blue)	-	14
BE15041	Gladhand Holder	1 Plug, 2 Gladhand Holder	-	15
BE15042	Gladhand Holder	2 Plug, 2 Gladhand Holder	-	16
D380310	Old Style Conventional Gladhand Replacement Bracket – Service (Blue Service)	For Bracket, Flexible Mount and Conventional Style	1048006B	11
DA9017B	Polyurethane Gladhand Seal, 1-1/4" Traditional Sealing Lip	Standard Pack 100 Blue Seals	-	5
DA9017R	Polyurethane Gladhand Seal, 1-1/4" Traditional Sealing Lip	Standard Pack 100 Red Seals	-	5
DA909005	Polyurethane Gladhand Seals, 1-1/4" Traditional Sealing Lip, Red and Blue	Contains (2) Red and (2) Blue Seals	-	5
RN58A	Gladhands Repair Kit	For Quick Release Gladhands	-	6

AirPower Line



Features:

- Service Air Line
- Emergency Air Line
- 7-Way Plug ABS Power Line (Green)
- Enclosed in heavy duty, beveled edge, spiral wrap

Notes:

- 1) Hanger Bracket Mounting Assembly (Part # 11615) included for easy suspension.
- 2) Red and Blue FLEX-Grips for easy identification and gladhand connection.
- 3) Air lines have swivel fittings at tractor end for quick installation.
- 4) Power line is fully ABS compatible.

SKU#	Product Description
11615	Hanger, Stainless Steel used with 3-in-One AirPower Lines
BE27107	3-in-One AirPower Line – 10 ft.
BE27127	3-in-One AirPower Line – 12 ft.
BE27157	3-in-One AirPower Line – 15 ft.
BE27207	3-in-One AirPower Line – 20 ft.

Nylon Tubing (Bulk)

Single Wall Non–Reinforced Nylon Tubing



Features:

- Temperature Range: –40° F to +200° F
- Maximum Working Pressure: 150 PSI
- Not made for fuel

Notes:

- 1) 1/8" tubing does not comply to FMVSS106 and should not be used in air brake systems.
- 2) 1/4" and larger tubing meets FMVSS106 Regulations.
- 3) 1/8" and 1/4" tubing is single wall, non–reinforced and conforms to Type 3A of SAE J844d Specifications.

SKU#	Product Description	Tube O.D.	Color	Length	Wall Thickness	Min. Bend Radius	Min. Burst Pressure (psi@75° F)
D1020401	Non–Reinforced Nylon Tubing	1/8"	Black	100'	.023	3/8"	1000
D1020402	Non–Reinforced Nylon Tubing	1/8"	Blue	100'	.023	3/8"	1000
D1020403	Non–Reinforced Nylon Tubing	1/8"	Red	100'	.023	3/8"	1000
D1020404	Non–Reinforced Nylon Tubing	1/8"	Green	100'	.023	3/8"	1000
D1040401	Non–Reinforced Nylon Tubing	1/4"	Black	100'	.040	1"	1200
D1040402	Non–Reinforced Nylon Tubing	1/4"	Blue	100'	.040	1"	1200
D1040403	Non–Reinforced Nylon Tubing	1/4"	Red	100'	.040	1"	1200
D1040404	Non–Reinforced Nylon Tubing	1/4"	Green	100'	.040	1"	1200
D1040405	Non–Reinforced Nylon Tubing	1/4"	Orange	100'	.040	1"	1200
D1040406	Non–Reinforced Nylon Tubing	1/4"	Yellow	100'	.040	1"	1200
D1040801	Non–Reinforced Nylon Tubing	1/4"	Black	1000'	.040	1"	1200

Nylon Tubing (Bulk)

Reinforced Nylon Tubing



Features:

- Temperature Range: -40° F to +200° F
- Maximum Working Pressure: 150 PSI
- Not made for fuel

Notes:

- 1) Meets Type B SAE J844 Specifications and FMVSS No. 106 Regulations

SKU#	Product Description	Tube O.D.	Color	Length	Wall Thickness	Minimum Bend Radius	Min. Burst Pressure (psi@75° F)
D1060401	Reinforced Nylon Tubing	3/8"	Black	100'	.062	1-1/2"	1400
D1060402	Reinforced Nylon Tubing	3/8"	Blue	100'	.062	1-1/2"	1400
D1060403	Reinforced Nylon Tubing	3/8"	Red	100'	.062	1-1/2"	1400
D1060404	Reinforced Nylon Tubing	3/8"	Green	100'	.062	1-1/2"	1400
D1060405	Reinforced Nylon Tubing	3/8"	Orange	100'	.062	1-1/2"	1400
D1060406	Reinforced Nylon Tubing	3/8"	Yellow	100'	.062	1-1/2"	1400
D1060601	Reinforced Nylon Tubing	3/8"	Black	500'	.062	1-1/2"	1400
D1060602	Reinforced Nylon Tubing	3/8"	Blue	500'	.062	1-1/2"	1400
D1060603	Reinforced Nylon Tubing	3/8"	Red	500'	.062	1-1/2"	1400
D1080401	Reinforced Nylon Tubing	1/2"	Black	100'	.062	2"	950
D1080402	Reinforced Nylon Tubing	1/2"	Blue	100'	.062	2"	950
D1080403	Reinforced Nylon Tubing	1/2"	Red	100'	.062	2"	950
D1080404	Reinforced Nylon Tubing	1/2"	Green	100'	.062	2"	950
D1080405	Reinforced Nylon Tubing	1/2"	Orange	100'	.062	2"	950
D1080406	Reinforced Nylon Tubing	1/2"	Yellow	100'	.062	2"	950
D1080601	Reinforced Nylon Tubing	1/2"	Black	500'	.062	2"	950
D1080603	Reinforced Nylon Tubing	1/2"	Red	500'	.062	2"	950
D1100201	Reinforced Nylon Tubing	5/8"	Black	50'	.092	2-1/2"	900
D1120201	Reinforced Nylon Tubing	3/4"	Black	50'	.092	3"	800

Polyethylene Tubing



Features:

- Used to vapor proof wiring on Trucks and Trailers
- Sunlight resistant black

Specifications:

Package 100' per box
Applications Air, water, most acids and alkalies
Temperature Range -40° F to 160° F
Working Pressure Rated at maximum 75 psi

Notes:

- 1) If intended to cover copper tubing order one size larger than tubing diameter.
- 2) Accepts standard brass fittings of the type used on copper tubing, without requiring the use of an insert to support the wall.
- 3) Barb type nylon fittings may also be used.

SKU#	Product Description	Inside Diameter	Outside Diameter
11041	Polyethylene Tubing (low density)	3/16"	1/4"
11042	Polyethylene Tubing (low density)	1/4"	3/8"
11044	Polyethylene Tubing (low density)	3/8"	1/2"
11046	Polyethylene Tubing (low density)	1/2"	5/8"

Compressor Discharge Hose Assembly



KN17502 Shown

Features:

- Teflon inner tube
- Durable stainless steel outer braid
- Maximum working pressure of 1000 psi
- Withstands temperatures from -65° F to 450° F

Specifications:

Diameter 1/2" I.D.
Air Brake Body 5/8" Straight Tube x 5/8" Compression

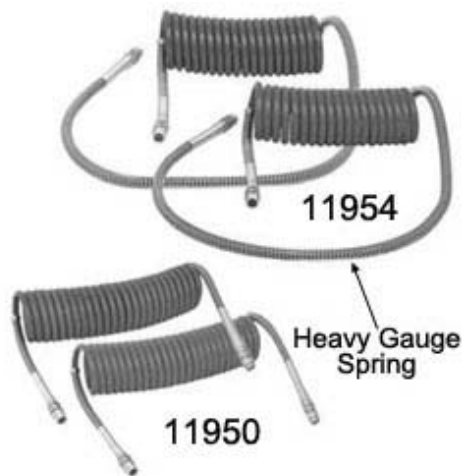
Notes:

- 1) For easy changeover from a Bendix side mount discharge to a top discharge Midland compressor.

SKU#	Product Description	Length
KN17500	Compressor Discharge Hose	18"
KN17501	Compressor Discharge Hose	24"
KN17502	Compressor Discharge Hose	36"
KN17503	Compressor Discharge Hose	48"
KN17504	Compressor Discharge Hose	60"

Coiled Air Hose Assemblies

Aircoils – Basic



Features:

- Coiled, 1/2" O.D., reinforced, nylon tubing
- Excellent coil memory and durability
- Color-coded (red – emergency / blue – service); Meets DOT FMVSS 106 – (49 CFR 571, 106 & 49 CFR 393.45)
- Designed for 150 psi operating systems
- Resistant to attack by gasoline, diesel fuel, methyl-alcohol and zinc chloride
- Male pipe – brass fittings
- Heavy duty plated spring guards

Specifications:

Temperature Range –40° F to +199° F

SKU#	Product Description	Pigtail Tractor-End	Pigtail Trailer-End	Fitting (Thread) Tractor-End	Fitting (Thread) Trailer-End
11950	12' Aircoil Set (1 Red & 1 Blue)	6"	6"	1/2"	1/2"
11951	12' Aircoil Set (1 Red & 1 Blue)	6"	6"	3/8"	1/2"
11952	15' Aircoil Set (1 Red & 1 Blue)	12"	12"	1/2"	1/2"
11953	15' Aircoil Set (1 Red & 1 Blue)	12"	12"	3/8"	1/2"
11954	15' Aircoil Set (1 Red & 1 Blue)	48"	12"	1/2"	1/2"
11955	15' Aircoil Set (1 Red & 1 Blue)	48"	12"	3/8"	1/2"
11956	20' Aircoil Set (1 Red & 1 Blue)	48"	12"	1/2"	1/2"
11960	12' Red Aircoil	6"	6"	1/2"	1/2"
11961	12' Blue Aircoil	6"	6"	1/2"	1/2"
11964	15' Red Aircoil	12"	12"	1/2"	1/2"
11965	15' Blue Aircoil	12"	12"	1/2"	1/2"
11966	15' Red Aircoil	12"	12"	3/8"	1/2"
11967	15' Blue Aircoil	12"	12"	3/8"	1/2"
11968	15' Red Aircoil	48"	12"	1/2"	1/2"
11969	15' Blue Aircoil	48"	12"	1/2"	1/2"
11970	15' Red Aircoil	48"	12"	3/8"	1/2"
11971	15' Blue Aircoil	48"	12"	3/8"	1/2"
11972	20' Red Aircoil	48"	12"	1/2"	1/2"
11973	20' Blue Aircoil	48"	12"	1/2"	1/2"

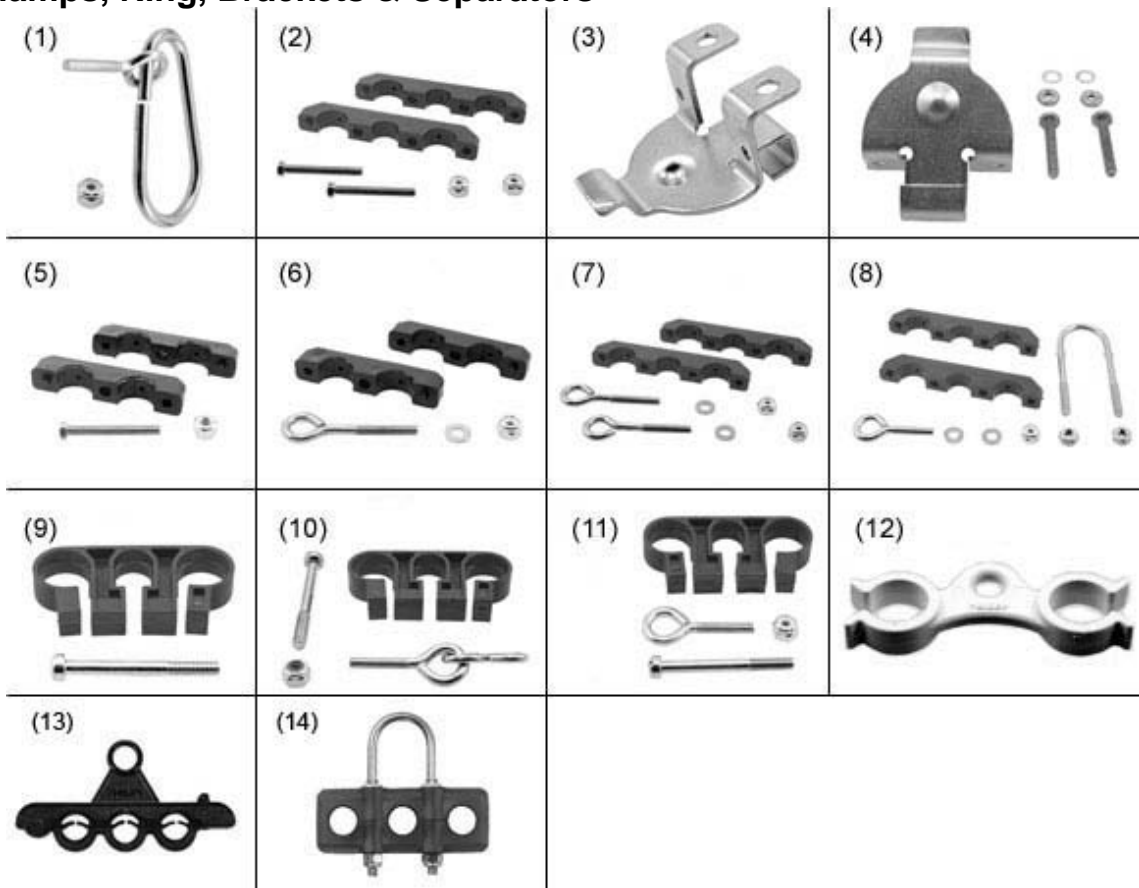
Coiled Air Hose Assemblies

Cab Blower Kit



SKU#	Product Description	Coil	Coil Diameter	Tee Fitting	Notes
DQ91304	Air Cab Blower Kit	72" with Spring Guards	1/4"	1/4"	Mounts under seat.

Clamps, Ring, Brackets & Separators



SKU#	Product Description	Application/Notes	OEM #	Picture #
11403	Hose Support Bracket	For Current Design Flexstiks	10422	3
11404	Hose Support Bracket	For Early Design Flexastiks	1042201	4
11540	Two Hole Hose Clamp	3/8" I.D. Hose	1507	5
11541	Two Hole Hose Clamp	3/8" I.D. Hose Rubberized for use with coiled nylon hose.	1507A	6
11542	Three Hole Hose Clamp	3/8" I.D. Hose	1508	2
11543	Three Hole Hose Clamp	3/8" I.D. Hose	1508A	7
11544	Three Hole Hose Clamp	3/8" I.D. Hose Rubberized for use with coiled nylon hose.	275015	8
11545	Hose Clamp	3/8" & 1/2" I.D. Hose	1521	9
11546	Hose Clamp	3/8" & 1/2" I.D. Hose	1522	10
11547	Hose Clamp	3/8" & 1/2" I.D. Hose	1523	11
11548	Hose Separator	For 3/8" I.D. Hose Molded white (EGC) Engineering Grade Composite.	100469	12
11549	Hose Separator	For 1/2" I.D. Hose Molded white (EGC) Engineering Grade Composite.	100469D	12
11611	Hose Ring Assembly	3/8" & 1/2" I.D. Hose	276015	1
BE17153	3 Ring Hose Holder	-	-	13

Bulk Rubber Air Hose



Features:

- UV and ozone resistant
- Uniform dual-braided design consists of interwoven spirals
- Layers of the hose wall are fully bonded to enhance kink resistance
- Meets or exceeds SAE J1402 – Type A
- Meets or exceeds DOT FMVSS No. 106 – Brake Hoses, 49 CFR 571.106

Specifications:

Working Pressure up to 225 psi
Minimum Burst Pressure 900 psi

Notes:

- 1) The hose cover may be perforated in some sizes to allow moisture to escape from the reinforcement layer.
- 2) Designed to provide flexible air-connection from frame to axle or between tractor and trailer where exposed to flexing, pulling or impact.

SKU#	Product Description	Nominal I.D.	Nominal O.D.	Minimum Bend Radius (psi)	Length	Package Quantity
11000	3/8 Inch Rubber Air Hose – Bulk	3/8"	3/4"	3-1/2"	50' Carton	5
11001	3/8 Inch Rubber Air Hose – Bulk	3/8"	3/4"	3-1/2"	250' Spool	1
11002	1/2 Inch Rubber Air Hose – Bulk	1/2"	7/8"	4"	50' Carton	5
11004	1/2 Inch Rubber Air Hose – Bulk	1/2"	7/8"	4"	250' Spool	1

Nose Box – 3/8" I.D. Hose Assemblies



26005

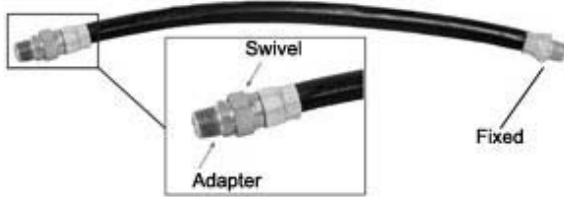


26007

SKU#	Product Description	Style	Hose	Ends	Length
26005	Nose Box Hose Assembly	Interline	3/8" I.D.	1/2" NPTF	6"
26007	Nose Box Hose Assembly	Fleetline	3/8" I.D.	1/2" NPTF to 1/2"-14 Female	6"

3/8" I.D. Air Hose Assemblies

3/8" I.D. Air Hose Assemblies with 1/4" One Fixed–One Swivel Ends



Features:

- Dual-braided
- Meets or exceeds SAE J1402 – Type A
- Meets or exceeds DOT FMVSS No. 106 – Brake Hoses, 49 CFR 571.106

Specifications:

Ends One Fixed – One Swivel
Primary Use Front of Tractor
N12306 1/4" Adapter
200997B Hose Rack

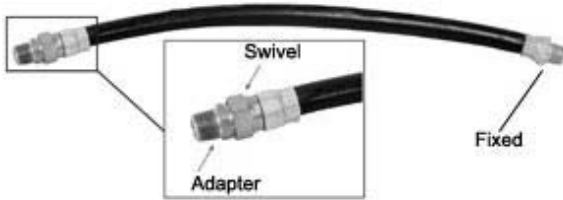
Notes:

- 1) Replacement Parts listed later in this section.

SKU#	Product Description	Overall Length
16014	3/8" I.D. Air Hose Assembly with 1/4" One Fixed–One Swivel Ends	14"
16016	3/8" I.D. Air Hose Assembly with 1/4" One Fixed–One Swivel Ends	16"
16018	3/8" I.D. Air Hose Assembly with 1/4" One Fixed–One Swivel Ends	18"
16020	3/8" I.D. Air Hose Assembly with 1/4" One Fixed–One Swivel Ends	20"
16022	3/8" I.D. Air Hose Assembly with 1/4" One Fixed–One Swivel Ends	22"
16024	3/8" I.D. Air Hose Assembly with 1/4" One Fixed–One Swivel Ends	24"
16026	3/8" I.D. Air Hose Assembly with 1/4" One Fixed–One Swivel Ends	26"
16028	3/8" I.D. Air Hose Assembly with 1/4" One Fixed–One Swivel Ends	28"
16030	3/8" I.D. Air Hose Assembly with 1/4" One Fixed–One Swivel Ends	30"
16032	3/8" I.D. Air Hose Assembly with 1/4" One Fixed–One Swivel Ends	32"
16034	3/8" I.D. Air Hose Assembly with 1/4" One Fixed–One Swivel Ends	34"
16036	3/8" I.D. Air Hose Assembly with 1/4" One Fixed–One Swivel Ends	36"
16038	3/8" I.D. Air Hose Assembly with 1/4" One Fixed–One Swivel Ends	38"
16040	3/8" I.D. Air Hose Assembly with 1/4" One Fixed–One Swivel Ends	40"
16042	3/8" I.D. Air Hose Assembly with 1/4" One Fixed–One Swivel Ends	42"
16044	3/8" I.D. Air Hose Assembly with 1/4" One Fixed–One Swivel Ends	44"
16046	3/8" I.D. Air Hose Assembly with 1/4" One Fixed–One Swivel Ends	46"
16048	3/8" I.D. Air Hose Assembly with 1/4" One Fixed–One Swivel Ends	48"
16054	3/8" I.D. Air Hose Assembly with 1/4" One Fixed–One Swivel Ends	54"
16060	3/8" I.D. Air Hose Assembly with 1/4" One Fixed–One Swivel Ends	60"
16072	3/8" I.D. Air Hose Assembly with 1/4" One Fixed–One Swivel Ends	72"

3/8" I.D. Air Hose Assemblies

3/8" I.D. Air Hose Assemblies with 3/8" One Fixed–One Swivel Ends



Features:

- Dual-braided
- Meets or exceeds SAE J1402 – Type A
- Meets or exceeds DOT FMVSS No. 106 – Brake Hoses, 49 CFR 571.106

Specifications:

Ends One Fixed – One Swivel
Primary Use Tractors
N12306G 3/8" Adapter
200997B Hose Rack

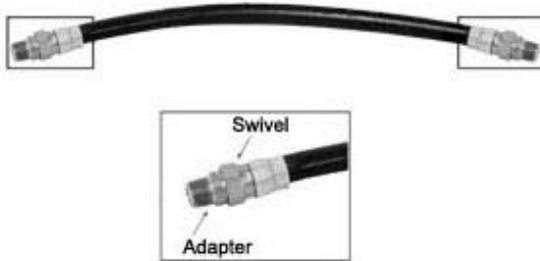
Notes:

- 1) Replacement Parts listed later in this section.

SKU#	Product Description	Overall Length
16618	3/8" I.D. Air Hose Assembly with 3/8" One Fixed–One Swivel Ends	18"
16620	3/8" I.D. Air Hose Assembly with 3/8" One Fixed–One Swivel Ends	20"
16622	3/8" I.D. Air Hose Assembly with 3/8" One Fixed–One Swivel Ends	22"
16624	3/8" I.D. Air Hose Assembly with 3/8" One Fixed–One Swivel Ends	24"
16626	3/8" I.D. Air Hose Assembly with 3/8" One Fixed–One Swivel Ends	26"
16628	3/8" I.D. Air Hose Assembly with 3/8" One Fixed–One Swivel Ends	28"
16630	3/8" I.D. Air Hose Assembly with 3/8" One Fixed–One Swivel Ends	30"
16632	3/8" I.D. Air Hose Assembly with 3/8" One Fixed–One Swivel Ends	32"
16634	3/8" I.D. Air Hose Assembly with 3/8" One Fixed–One Swivel Ends	34"
16636	3/8" I.D. Air Hose Assembly with 3/8" One Fixed–One Swivel Ends	36"
16638	3/8" I.D. Air Hose Assembly with 3/8" One Fixed–One Swivel Ends	38"
16640	3/8" I.D. Air Hose Assembly with 3/8" One Fixed–One Swivel Ends	40"
16642	3/8" I.D. Air Hose Assembly with 3/8" One Fixed–One Swivel Ends	42"
16644	3/8" I.D. Air Hose Assembly with 3/8" One Fixed–One Swivel Ends	44"
16646	3/8" I.D. Air Hose Assembly with 3/8" One Fixed–One Swivel Ends	46"
16648	3/8" I.D. Air Hose Assembly with 3/8" One Fixed–One Swivel Ends	48"
16654	3/8" I.D. Air Hose Assembly with 3/8" One Fixed–One Swivel Ends	54"
16660	3/8" I.D. Air Hose Assembly with 3/8" One Fixed–One Swivel Ends	60"
16672	3/8" I.D. Air Hose Assembly with 3/8" One Fixed–One Swivel Ends	72"

3/8" I.D. Air Hose Assemblies

3/8" I.D. Air Hose Assemblies with 3/8" Swivel Ends



Features:

- Dual-braided
- Meets or exceeds SAE J1402 – Type A
- Meets or exceeds DOT FMVSS No. 106 – Brake Hoses, 49 CFR 571.106

Specifications:

Ends	Both Swivel
N12306G	3/8" Adapter
200997B	Hose Rack

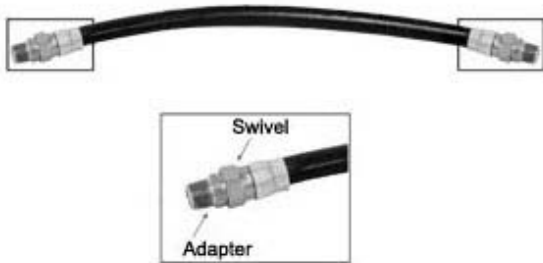
Notes:

- 1) For hard to get to places like dumpsters.
- 2) Replacement Parts listed later in this section.

SKU#	Product Description	Overall Length
16418	3/8" I.D. Air Hose Assemblies with 3/8" Swivel Ends	18"
16420	3/8" I.D. Air Hose Assemblies with 3/8" Swivel Ends	20"
16424	3/8" I.D. Air Hose Assemblies with 3/8" Swivel Ends	24"
16428	3/8" I.D. Air Hose Assemblies with 3/8" Swivel Ends	28"
16430	3/8" I.D. Air Hose Assemblies with 3/8" Swivel Ends	30"
16436	3/8" I.D. Air Hose Assemblies with 3/8" Swivel Ends	36"
16442	3/8" I.D. Air Hose Assemblies with 3/8" Swivel Ends	42"
16448	3/8" I.D. Air Hose Assemblies with 3/8" Swivel Ends	48"
16460	3/8" I.D. Air Hose Assemblies with 3/8" Swivel Ends	60"

1/2" I.D. Air Hose Assemblies

1/2" I.D. Air Hose Assemblies with 3/8" Swivel Ends



Features:

- Dual-braided
- Meets or exceeds SAE J1402 – Type A
- Meets or exceeds DOT FMVSS No. 106 – Brake Hoses, 49 CFR 571.106

Specifications:

Ends	Both Swivel
Primary Use	Trailers
200997B	Hose Rack
N12306	1/4" Adapter
N12306G	3/8" Adapter
N12306BM	1/2" Adapter

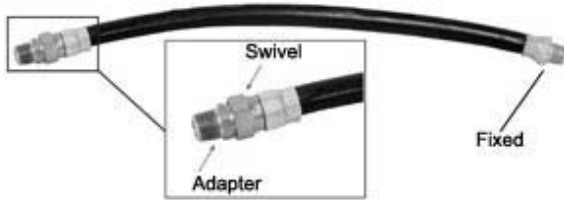
Notes:

- 1) Replacement Parts listed later in this section.

SKU#	Product Description	Overall Length
16718	1/2" Air Hose Assembly with 3/8" Swivel Ends	18"
16720	1/2" Air Hose Assembly with 3/8" Swivel Ends	20"
16722	1/2" Air Hose Assembly with 3/8" Swivel Ends	22"
16724	1/2" Air Hose Assembly with 3/8" Swivel Ends	24"
16726	1/2" Air Hose Assembly with 3/8" Swivel Ends	26"
16728	1/2" Air Hose Assembly with 3/8" Swivel Ends	28"
16730	1/2" Air Hose Assembly with 3/8" Swivel Ends	30"
16732	1/2" Air Hose Assembly with 3/8" Swivel Ends	32"
16734	1/2" Air Hose Assembly with 3/8" Swivel Ends	34"
16736	1/2" Air Hose Assembly with 3/8" Swivel Ends	36"
16738	1/2" Air Hose Assembly with 3/8" Swivel Ends	38"
16740	1/2" Air Hose Assembly with 3/8" Swivel Ends	40"
16748	1/2" Air Hose Assembly with 3/8" Swivel Ends	48"
16756	1/2" Air Hose Assembly with 3/8" Swivel Ends	56"
16772	1/2" Air Hose Assembly with 3/8" Swivel Ends	72"

1/2" I.D. Air Hose Assemblies

1/2" I.D. Air Hose Assemblies with 3/8" One Fixed–One Swivel Ends



Features:

- Dual-braided
- Meets or exceeds SAE J1402 – Type A
- Meets or exceeds DOT FMVSS No. 106 – Brake Hoses, 49 CFR 571.106

Specifications:

Ends	One Fixed – One Swivel
Primary Use	Front of Tractor
200997B	Hose Rack
N12306	1/4" Adapter
N12306G	3/8" Adapter
N12306BM	1/2" Adapter

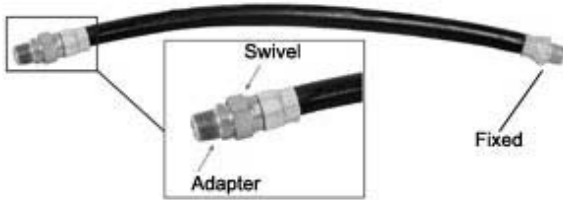
Notes:

- 1) Replacement Parts listed later in this section.

SKU#	Product Description	Overall Length
16316	1/2" I.D. Air Hose Assembly with 3/8" One Fixed–One Swivel Ends	16"
16318	1/2" I.D. Air Hose Assembly with 3/8" One Fixed–One Swivel Ends	18"
16320	1/2" I.D. Air Hose Assembly with 3/8" One Fixed–One Swivel Ends	20"
16322	1/2" I.D. Air Hose Assembly with 3/8" One Fixed–One Swivel Ends	22"
16324	1/2" I.D. Air Hose Assembly with 3/8" One Fixed–One Swivel Ends	24"
16326	1/2" I.D. Air Hose Assembly with 3/8" One Fixed–One Swivel Ends	26"
16328	1/2" I.D. Air Hose Assembly with 3/8" One Fixed–One Swivel Ends	28"
16330	1/2" I.D. Air Hose Assembly with 3/8" One Fixed–One Swivel Ends	30"
16332	1/2" I.D. Air Hose Assembly with 3/8" One Fixed–One Swivel Ends	32"
16334	1/2" I.D. Air Hose Assembly with 3/8" One Fixed–One Swivel Ends	34"
16336	1/2" I.D. Air Hose Assembly with 3/8" One Fixed–One Swivel Ends	36"
16338	1/2" I.D. Air Hose Assembly with 3/8" One Fixed–One Swivel Ends	38"
16340	1/2" I.D. Air Hose Assembly with 3/8" One Fixed–One Swivel Ends	40"
16342	1/2" I.D. Air Hose Assembly with 3/8" One Fixed–One Swivel Ends	42"
16344	1/2" I.D. Air Hose Assembly with 3/8" One Fixed–One Swivel Ends	44"
16346	1/2" I.D. Air Hose Assembly with 3/8" One Fixed–One Swivel Ends	46"
16348	1/2" I.D. Air Hose Assembly with 3/8" One Fixed–One Swivel Ends	48"
16352	1/2" I.D. Air Hose Assembly with 3/8" One Fixed–One Swivel Ends	52"
16354	1/2" I.D. Air Hose Assembly with 3/8" One Fixed–One Swivel Ends	54"
16356	1/2" I.D. Air Hose Assembly with 3/8" One Fixed–One Swivel Ends	56"
16360	1/2" I.D. Air Hose Assembly with 3/8" One Fixed–One Swivel Ends	60"
16372	1/2" I.D. Air Hose Assembly with 3/8" One Fixed–One Swivel Ends	72"
DQ16002	1/2" I.D. Air Hose Assembly Kit with 3/8" One Fixed–One Swivel Ends – Rack Included	Contains 2 each of the following lengths: 22, 24, 28, 30, 32 and 36 inch

1/2" I.D. Air Hose Assemblies

1/2" I.D. Air Hose Assemblies with One 1/2" Fixed and One 3/8" Swivel End



Features:

- Dual-braided
- Meets or exceeds SAE J1402 – Type A
- Meets or exceeds DOT FMVSS No. 106 – Brake Hoses, 49 CFR 571.106

Specifications:

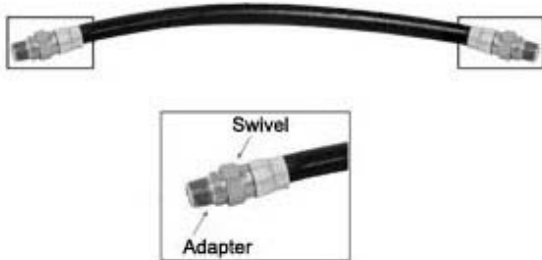
Ends	One Fixed – One Swivel
200997B	Hose Rack
N12306	1/4" Adapter
N12306G	3/8" Adapter
N12306BM	1/2" Adapter

Notes:

- 1) Replacement Parts listed later in this section.

SKU#	Product Description	Overall Length
16820	1/2" I.D. Air Hose Assembly with One 1/2" Fixed and One 3/8" Swivel End	20"
16824	1/2" I.D. Air Hose Assembly with One 1/2" Fixed and One 3/8" Swivel End	24"
16830	1/2" I.D. Air Hose Assembly with One 1/2" Fixed and One 3/8" Swivel End	30"
16836	1/2" I.D. Air Hose Assembly with One 1/2" Fixed and One 3/8" Swivel End	36"
16848	1/2" I.D. Air Hose Assembly with One 1/2" Fixed and One 3/8" Swivel End	48"
16860	1/2" I.D. Air Hose Assembly with One 1/2" Fixed and One 3/8" Swivel End	60"
16872	1/2" I.D. Air Hose Assembly with One 1/2" Fixed and One 3/8" Swivel End	72"

1/4" I.D. Air Hose Assemblies



Features:

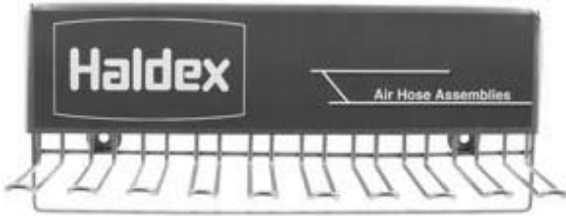
- Dual-braided
- Meets or exceeds SAE J1402 – Type A
- Meets or exceeds DOT FMVSS No. 106 – Brake Hoses, 49 CFR 571.106

Specifications:

Ends Both Swivel

SKU#	Product Description	Overall Length
62X1518B0	1/4" I.D. Air Hose Assembly with 1/8" Swivel Ends	18"
62X1524B0	1/4" I.D. Air Hose Assembly with 1/8" Swivel Ends	24"
62X1530B0	1/4" I.D. Air Hose Assembly with 1/8" Swivel Ends	30"
62X1536B0	1/4" I.D. Air Hose Assembly with 1/8" Swivel Ends	36"

Hose Rack



SKU#	Product Description	Notes
200997B	Hose Rack for Air Hose Assemblies	Holds 36 Air Hose Assemblies

Adapters for Hose Assemblies



N12306



N12306AG



N12306AH



N12306BM



N12306G

SKU#	Product Description	Threads
N12306	Air Hose Adapter if Female Swivel Thread Size is 3/8"	1/4"-18 NPT
N12306AG	Air Hose Adapter if Female Swivel Thread Size is 1/2"	3/8"-18 NPT
N12306AH	Air Hose Adapter if Female Swivel Thread Size is 1/2"	1/2"-14 NPT
N12306BM	Air Hose Adapter if Female Swivel Thread Size is 3/8"	1/2"-14 NPT
N12306G	Air Hose Adapter if Female Swivel Thread Size is 3/8"	3/8"-18 NPT

Branch and Run Tees



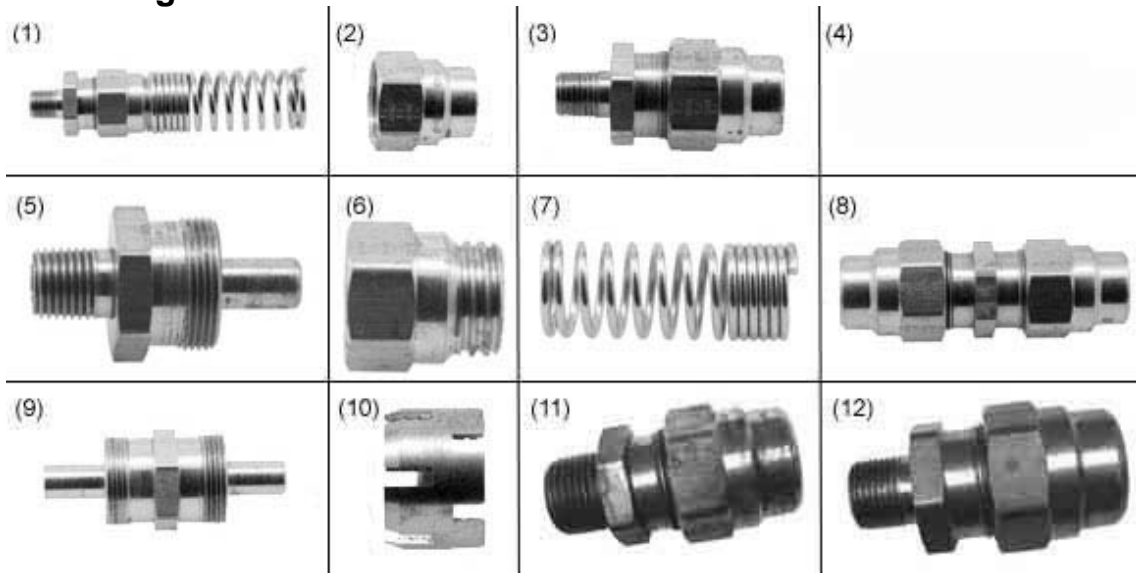
RUN TEE



BRANCH TEE

SKU#	Product Description	Tube Size	Pipe Thread Size
11271	Run Tee Nylon Tubing Fitting	1/4" O.D.	1/8" NPT
11273	Run Tee Nylon Tubing Fitting	3/8" O.D.	1/4" NPT
11274	Run Tee Nylon Tubing Fitting	3/8" O.D.	3/8" NPT
11279	Branch Tee Nylon Tubing Fitting	1/4" O.D.	1/4" NPT
11281	Branch Tee Nylon Tubing Fitting	3/8" O.D.	1/4" NPT
11282	Branch Tee Nylon Tubing Fitting	3/8" O.D.	3/8" NPT
11283	Branch Tee Nylon Tubing Fitting	1/2" O.D.	3/8" NPT
11284	Branch Tee Nylon Tubing Fitting	1/2" O.D.	1/2" NPT
11285	Branch Tee Nylon Tubing Fitting	5/8" O.D.	1/2" NPT

Hose Fittings



SKU#	Product Description	Notes	Pic. #
11900	Hose Fitting Assembly with Spring Guard – 1/4" NPT	For use on 3/8" I.D. Hose Assembly	1
11901	Hose Fitting Assembly with Spring Guard – 3/8" NPT	For use on 3/8" I.D. Hose Assembly	1
11902	Hose Fitting Assembly with Spring Guard – 1/2" NPT	For use on 3/8" I.D. Hose Assembly	1
11903	Hose Fitting Assembly without Spring Guard – 1/4" NPT	For use on 3/8" I.D. Hose Assembly	3
11904	Hose Fitting Assembly without Spring Guard – 3/8" NPT	For use on 3/8" I.D. Hose Assembly	3
11905	Hose Fitting Assembly without Spring Guard – 1/2" NPT	For use on 3/8" I.D. Hose Assembly	3
11906	Hose Union/End Fitting Nut	For fitting without spring. For use on 3/8" I.D. Hose Assembly	2
11907	Hose End Fitting Body – 1/4" NPT	For use on 3/8" I.D. Hose Assembly	5
11908	Hose End Fitting Body – 3/8" NPT	For use on 3/8" I.D. Hose Assembly	5
11909	Hose End Fitting Body – 1/2" NPT	For use on 3/8" I.D. Hose Assembly	5
11910	Hose End Fitting Nut	For fitting with spring For use on 3/8" I.D. Hose Assembly	6
11911	Hose End Fitting Spring	For use on 3/8" I.D. Hose Assembly	7
11912	Hose Union/End Fitting Ferrule	For use on 3/8" I.D. Hose Assembly	10
11913	Hose Union Fitting Mender	For use on 3/8" I.D. Hose Assembly	8
11914	Hose Union Fitting Mender Body	For use on 3/8" I.D. Hose Assembly	9
A86129	Hose Fitting Assembly with Spring Guard – 3/8" NPT	For use on 1/2" I.D. Air Hose	1
A86621	Hose Fitting Assembly without Spring Guard – 1/2" NPT	Not Threaded for Spring For use on 1/2" I.D. Air Hose	11
A86623	Hose Fitting Assembly without Spring Guard – 3/8" NPT	3/8" NPT Not Threaded for Spring For use on 1/2" I.D. Air Hose	12

Male Connectors and Elbows



MALE ELBOW



MALE CONNECTOR

SKU#	Product Description	Tube Size	Pipe Thread Size
11228	Male Connector Nylon Tubing Fitting	1/4" O.D.	1/8" NPT
11229	Male Connector Nylon Tubing Fitting	1/4" O.D.	1/4" NPT
11231	Male Connector Nylon Tubing Fitting	3/8" O.D.	1/8" NPT
11232	Male Connector Nylon Tubing Fitting	3/8" O.D.	1/4" NPT
11233	Male Connector Nylon Tubing Fitting	3/8" O.D.	3/8" NPT
11235	Male Connector Nylon Tubing Fitting	1/2" O.D.	3/8" NPT
11236	Male Connector Nylon Tubing Fitting	1/2" O.D.	1/2" NPT
11238	Male Connector Nylon Tubing Fitting	5/8" O.D.	1/2" NPT
11258	90° Male Elbow Nylon Tubing Fitting	1/4" O.D.	1/8" NPT
11259	90° Male Elbow Nylon Tubing Fitting	1/4" O.D.	1/4" NPT
11261	90° Male Elbow Nylon Tubing Fitting	3/8" O.D.	1/8" NPT
11262	90° Male Elbow Nylon Tubing Fitting	3/8" O.D.	1/4" NPT
11263	90° Male Elbow Nylon Tubing Fitting	3/8" O.D.	3/8" NPT
11264	90° Male Elbow Nylon Tubing Fitting	3/8" O.D.	1/2" NPT
11266	90° Male Elbow Nylon Tubing Fitting	1/2" O.D.	1/2" NPT
11267	90° Male Elbow Nylon Tubing Fitting	5/8" O.D.	3/8" NPT
11268	90° Male Elbow Nylon Tubing Fitting	5/8" O.D.	1/2" NPT
11292	90° Male Elbow Nylon Tubing Fitting	1/2" O.D.	3/8" NPT

Nuts, Sleeves and Inserts



Insert



Sleeve



Nut

SKU#	Product Description	Tube Size
11130	Nylon Tubing Inserts	1/4" O.D.
11131	Nylon Tubing Inserts	3/8" O.D.
11132	Nylon Tubing Inserts	1/2" O.D.
11133	Nylon Tubing Inserts	5/8" O.D.
11134	Nylon Tubing Inserts	3/4" O.D.
11218	Nut for Nylon Tubing Fitting	1/4" O.D.
11219	Nut for Nylon Tubing Fitting	3/8" O.D.
11220	Nut for Nylon Tubing Fitting	1/2" O.D.
11221	Nut for Nylon Tubing Fitting	5/8" O.D.
11223	Sleeve for Nylon Tubing Fitting	1/4" O.D.
11224	Sleeve for Nylon Tubing Fitting	3/8" O.D.
11225	Sleeve for Nylon Tubing Fitting	1/2" O.D.
11226	Sleeve for Nylon Tubing Fitting	5/8" O.D.

Plugs and Reducers



Socket Head Plug



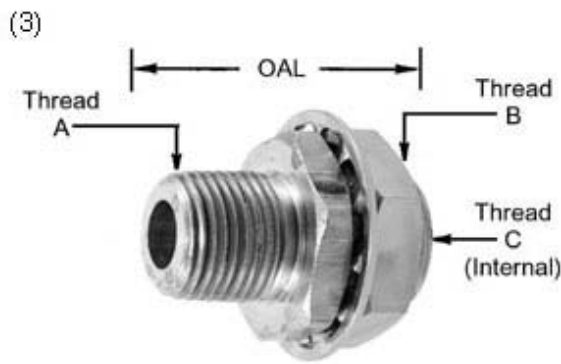
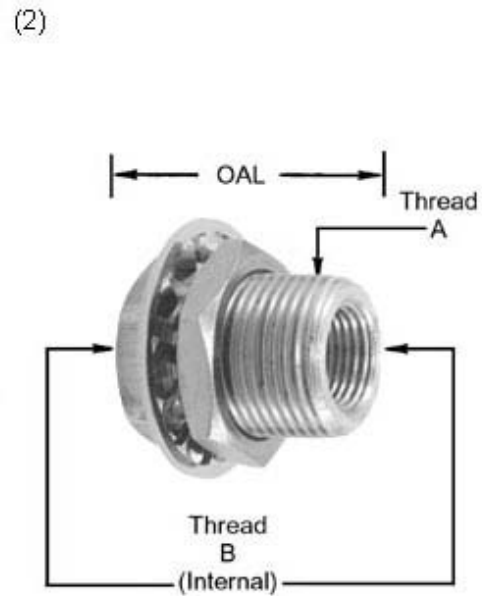
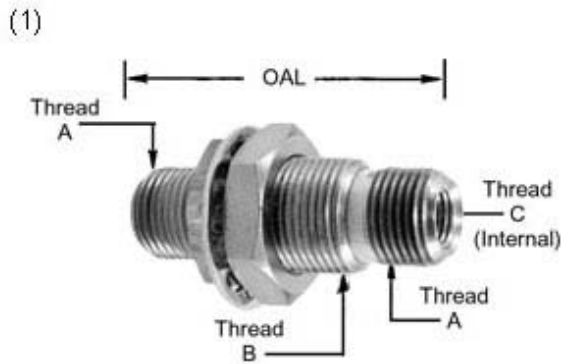
Square Head Plug



Reducer Bushing

SKU#	Product Description	Pipe Thread
11088	Square Head Plug	1/8"
11089	Square Head Plug	1/4"
11090	Square Head Plug	3/8"
11091	Square Head Plug	1/2"
11092	Square Head Plug	3/4"
11093	Socket/Countersunk Hex Head Plug	1/8"
11094	Socket/Countersunk Hex Head Plug	1/4"
11095	Socket/Countersunk Hex Head Plug	3/8"
11096	Socket/Countersunk Hex Head Plug	1/2"
11097	Reducer Bushing	1/4" (Male) x 1/8" (Female)
11098	Reducer Bushing	3/8" (Male) x 1/4" (Female)
11099	Reducer Bushing	1/2" (Male) x 1/4" (Female)
11150	Reducer Bushing	1/2" (Male) x 3/8" (Female)
11151	Reducer Bushing	3/4" (Male) x 3/8" (Female)
11152	Reducer Bushing	3/4" (Male) x 1/2" (Female)

Terminal Bolts (Frame Nipples)



SKU#	Product Description	Overall Length (OAL)	Thread Size	Thread Size	Mounting Hole Size	OEM #	Pic. #
11300	Steel Terminal Bolt (Frame Nipples)	2-7/8"	1/2" NPTF - Male	1/4" NPTF - Female	1-1/4"	11300	1
11304	Steel Terminal Bolt (Frame Nipples)	2"	1/2" NPTF - Male	3/8" NPTF - Female	1"	11304	3
11306	Steel Terminal Bolt (Frame Nipples)	1"	1/4" NPTF - Female	1/4" NPTF - Female	7/8"	11306	2
11307	Steel Terminal Bolt (Frame Nipples)	1-1/2"	3/8" NPTF - Female	3/8" NPTF - Female	1"	-	2
11311	Steel Terminal Bolt (Frame Nipples)	2"	1/2" NPTF - Male	1/4" NPTF - Female	7/8"	-	3
11315	Steel Terminal Bolt (Frame Nipples)	2"	1/2" NPTF - Male	1/4" NPTF - Female	1"	11315	3

Union and Union Tee Fittings



11201



11202



11204



11051



11216

SKU#	Product Description	Tube Size
11050	Union Air Line Fitting for Copper Tubing	1/4" O.D.
11051	Union Air Line Fitting for Copper Tubing	3/8" O.D.
11052	Union Air Line Fitting for Copper Tubing	1/2" O.D.
11201	Union Fitting for Nylon Tubing	1/4" O.D.
11202	Union Fitting for Nylon Tubing	3/8" O.D.
11203	Union Fitting for Nylon Tubing	1/2" O.D.
11204	Union Fitting for Nylon Tubing	5/8" O.D.
11214	Union Tee Fitting for Nylon Tubing	1/4" O.D.
11215	Union Tee Fitting for Nylon Tubing	3/8" O.D.
11216	Union Tee Fitting for Nylon Tubing	1/2" O.D.
11217	Union Tee Fitting for Nylon Tubing	5/8" O.D.

Reservoirs – Saddle Mounted, Single Compartment



19840 Shown

Features:

- Long life internal and external corrosion protection.
- Withstands 500 hour salt spray test.
- Valve ports reinforced for extra strength.
- Conforms to SAEJ10B specifications.
- Certified to 150 PSI working pressure.
- Use of isolator pads recommended in any ABS application.

Specifications:

DQ60200 Isolator Pad Kit

Notes:

- 1) All tanks have 1/4" drain port in bottom.
- 2) All tanks have (2) 3/8" charging ports, one on each end.
- 3) Valve ports on same side – 19842 only.

SKU#	Product Description	Mounting Centers	Diameter	Volume	Valve Mounting Port(s)	Mounting Flanges
19810	Saddle–Mounted Single Compartment Reservoir	32"	8"	1425 cu. in.	(1) 3/4"	Below Center Line
19820	Saddle–Mounted Single Compartment Reservoir	29–1/2"	12"	2865 cu. in.	(2) 3/4"	Above Center Line
19821	Saddle–Mounted Single Compartment Reservoir	29–1/2"	12"	2865 cu. in.	(1) 3/4"	Above Center Line
19840	Saddle–Mounted Single Compartment Reservoir	27–1/2"	9–1/2"	1490 cu. in.	(2) 3/4"	Above Center Line
19841	Saddle–Mounted Single Compartment Tank Reservoir	27–1/2"	9–1/2"	1490 cu. in.	(2) 1/2"	Below Center Line
19842	Saddle–Mounted Single Compartment Tank Reservoir	27–1/2"	9–1/2"	1490 cu. in.	(2) 1/2" * see notes	Below Center Line
19845	Saddle–Mounted Single Compartment Tank Reservoir	27–1/2"	9–1/2"	1490 cu. in.	(1) 1/2" & (1) 3/4"	Below Center Line
19850	Saddle–Mounted Single Compartment Reservoir	32"	8"	1425 cu. in.	(2) 1/2"	Above Center Line

Reservoirs – Saddle Mount, Dual Compartment Tank



Features:

- Long life internal and external corrosion protection.
- Withstands 500 hour salt spray test.
- Valve ports reinforced for extra strength.
- Conforms to SAEJ10B specifications.
- Certified to 150 PSI working pressure.
- Use of isolator pads recommended in any ABS application.

Notes:

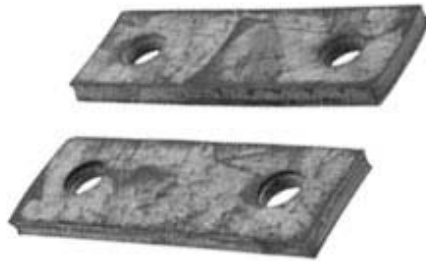
- 1) (2) 1/4" drain ports in bottom, one in each compartment.
- 2) (2) 1/2" charging ports, one on each end.
- 3) (1) 3/8" top charging port.
- 4) Each compartment has equal volume (1522).

SKU#	Product Description	Mounting Centers	Diameter	Volume	Valve Mounting Ports	Mounting Flanges
A97471	Saddle Mount, Dual Compartment Tank Reservoir	31-1/2"	12"	3044 cu. in.	(3) 1/2"	Above Center Line

Reservoirs Related Parts



11327



DQ60200



11328

SKU#	Product Description	Measurements	Application	Notes
11327	Plated Valve Mounting Hex Nipple	1/2" x 3/4" MPT	Sized for all applications.	Eliminates failure from nipple contamination. Zinc plated to prevent corrosion. Hex portion for sure installation.
11328	Plated Valve Mounting Hex Nipple	3/4" x 3/4" MPT	Sized for all applications.	Eliminates failure from nipple contamination. Zinc plated to prevent corrosion. Hex portion for sure installation.
DQ60200	Isolator Pad Kit	.187 thick	Isolator Pad Kit is recommended for all applications. Standard OE installations.	Isolates tanks from high frequency vibration. Protects ABS Control Units. Extends reservoir service life. Includes 2 isolator pads only.

Flexastiks

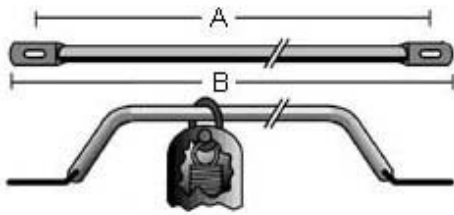


Features:

- Zinc dichromate or chrome finish.

SKU#	Product Description	Finish	Length	Included Hardware	OEM #
11500	Flexastik	Zinc Dichromate	41"	11547 Hose Clamp	N30200AE
11501	Flexastik	Zinc Dichromate	41"	11547 Hose Clamp 11403 Hose Support Bracket	N30200AF
11502	Flexastik	Zinc Dichromate	41"	11611 Hose Ring Assembly	N30200AA
11503	Flexastik	Zinc Dichromate	41"	11611 Hose Ring Assembly 11403 Hose Support Bracket	N30200AB
11504	Flexastik	Zinc Dichromate	51"	11547 Hose Clamp	N30200AG
11505	Flexastik	Zinc Dichromate	51"	11547 Hose Clamp 11403 Hose Support Bracket	N30200AH
11506	Flexastik	Zinc Dichromate	51"	11611 Hose Ring Assembly	N30200AC
11507	Flexastik	Zinc Dichromate	51"	11611 Hose Ring Assembly 11403 Hose Support Bracket	N30200AD
11508	Flexastik	Zinc Dichromate	41"	None	N30200
11509	Flexastik	Zinc Dichromate	51"	None	-
11510	Flexastik	Chrome	41"	11547 Hose Clamp	N30200BA
11511	Flexastik	Chrome	41"	11547 Hose Clamp 11403 Hose Support Bracket	N30200BB
11512	Flexastik	Chrome	41"	11611 Hose Ring Assembly	N30200BC

Slide Bars



Features:

- Type 304, 3/4" stainless steel bar
- Elongated mounting holes cover a range of mounting hole locations

Notes:

- 1) Slide Bar Component Parts listed later in this section.

SKU#	Product Description	(A) Mounting Holes Spacing	(B) Overall Length
DA229	Slider Bar and 16" Single Tender Kit	42" – 45"	46-1/2"

Slide Bar Component Parts



SKU#	Product Description	Notes
D015	Slide Bar Spring Cover	16" Sleeve Only.
D025	2-1/4" O.D. Large Ring	Welded, will fit over slider bar.
D040	3-Hole Clamp	(1) U-Bolt & (1) Eye-Bolt Two 3/4" holes, holds 3/8" I.D. hoses or spring guard protected Aircoil leads The center hole is for any 7 conductor or ABS trailer cable.
D045	3 Hole Clamp with Eyelets	(2) Eye-Bolts Two 3/4" holes, holds 3/8" I.D. hoses or spring guard protected Aircoil leads The center hole is for any 7 conductor or ABS trailer cable.
D060	Large Snap Clip	Will fit over slider bar.
D070	16" Slide Bar Spring Assembly – Tender Kit	Large snap clip, clamp hanger, heavy duty spring and protective sleeve.
D075	16" Slide Bar Double Spring Assembly – Tender Kit	Large snap clip, clamp hanger, heavy duty spring, protective sleeve and yoke.

Air Line Filter Assemblies

(1)



(2)



(3)



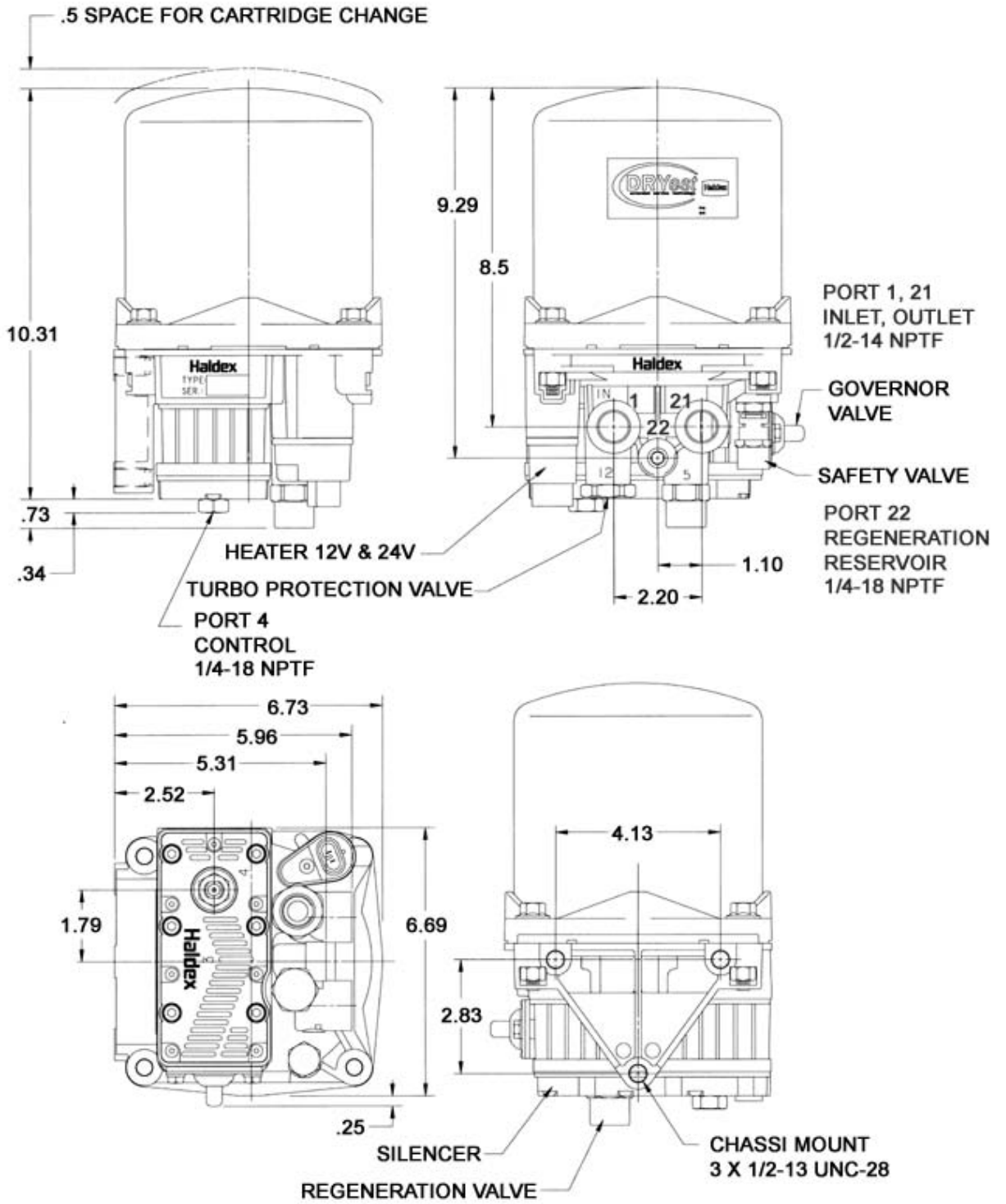
SKU#	Product Description	Features/Notes	OEM Number	Picture Number
11480	Complete Airline Filter Assembly	(2) 1/4"-18 NPTF Ports Removeable & replaceable filter element. Can be used in both emergency and service lines.	N12969	2
N12971B	Replacement Filter	For Airline Filter Assembly.	-	1
RN13A	Repair Kit	For Airline Filter Assembly.	-	3

Miscellaneous Accessories

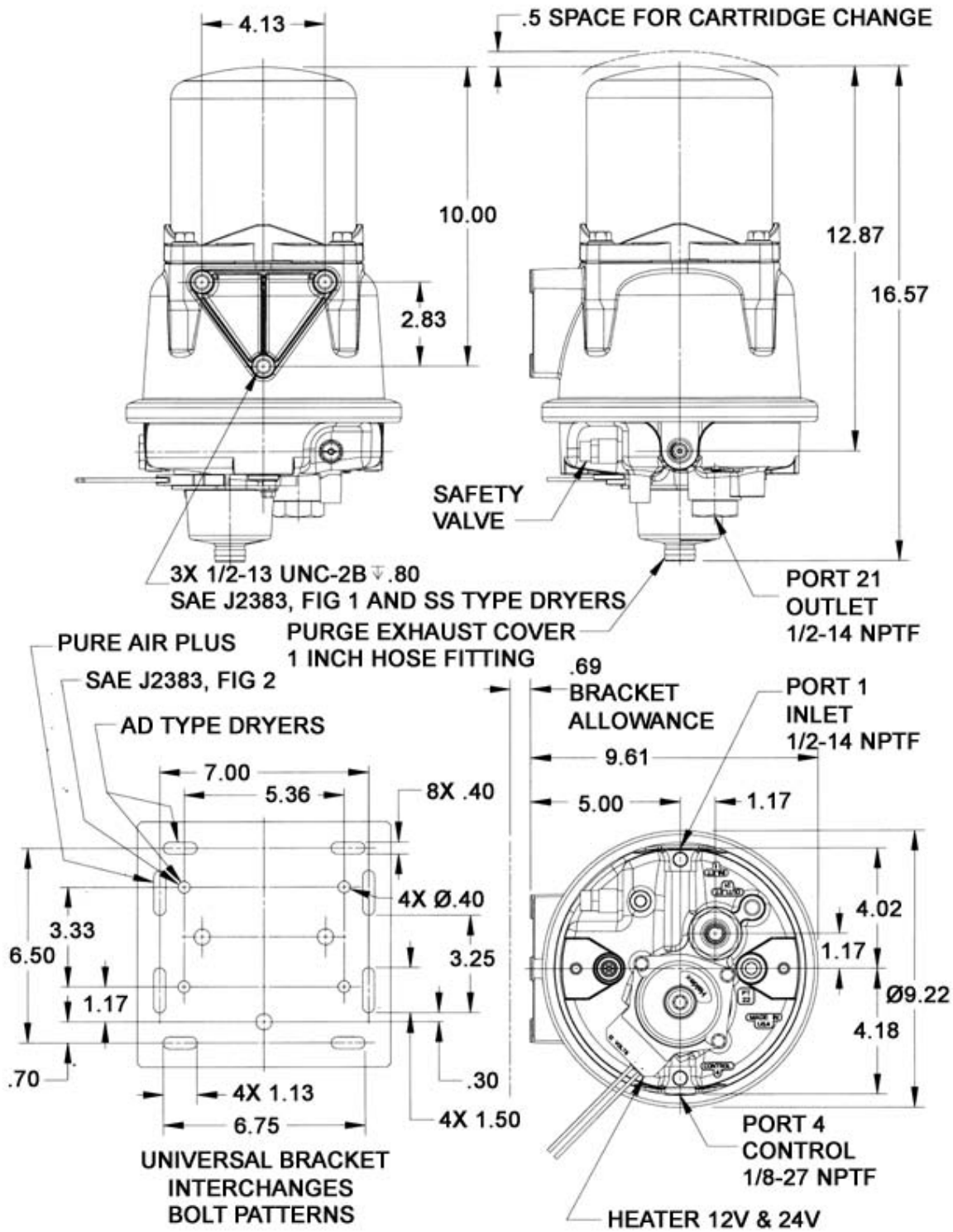


SKU#	Product Description	Features/Notes	OEM #
11120	Protected Tube Clamp	1/4" I.D. – 17/64" Mounting	15111
11121	Protected Tube Clamp	5/16" I.D. – 17/64" Mounting	15112
11122	Protected Tube Clamp	3/8" I.D. – 17/64" Mounting	15113
11123	Protected Tube Clamp	1/2" I.D. – 17/64" Mounting	15114
11124	Protected Tube Clamp	5/8" I.D. – 17/64" Mounting	15115
11125	Protected Tube Clamp	3/4" I.D. – 21/64" Mounting	15116
11126	Protected Tube Clamp	15/16" I.D. – 21/64" Mounting	15117
11127	Protected Tube Clamp	1-1/4" I.D. – 21/64" Mounting	15118
11420	Emergency Airline Tag	Stamped aluminum with color coded anodize finish.	N10790K
11421	Service Airline Tag	Stamped aluminum with color coded anodize finish.	N10790L
11514	Cable Caddie	Made of ABS Plastic.	11514
11600	Support Spring – Extra Heavy Duty (For Hookup Lines)	25-1/2" Length – 1-1/8" Coil O.D.	10600
11601	Support Spring – Regular Duty	13" Length – 3/4" Coil O.D.	10601
11602	Support Spring – Heavy Duty	13" Length – 1" Coil O.D.	10602
11603	Support Spring – Extra Heavy Duty	16" Length – 1-1/16" Coil O.D.	10603
30107	Tarp Straps	15" Strap Length Straps are supplied with Crimped "S" Hooks installed	6900013
30108	Tarp Straps	21" Strap Length Straps are supplied with Crimped "S" Hooks installed	-
30109	Tarp Straps	31" Strap Length Straps are supplied with Crimped "S" Hooks installed	-
BE0545241	Rubber Cushion Clamp	1/4" Mounting Hole, 1-1/4" Tube Size	-
BE0545271	Rubber Cushion Clamp	1/4" Mounting Hole, 1-7/16" Tube Size	-
BE0546064	Rubber Cushion Clamp	3/8" Mounting Hole, 3/8" Tube Size	-
BE0546084	Rubber Cushion Clamp	3/8" Mounting Hole, 1/2" Tube Size	-
BE0546144	Rubber Cushion Clamp	3/8" Mounting Hole, 7/8" Tube Size	-
BE0546164	Rubber Cushion Clamp	3/8" Mounting Hole, 1" Tube Size	-

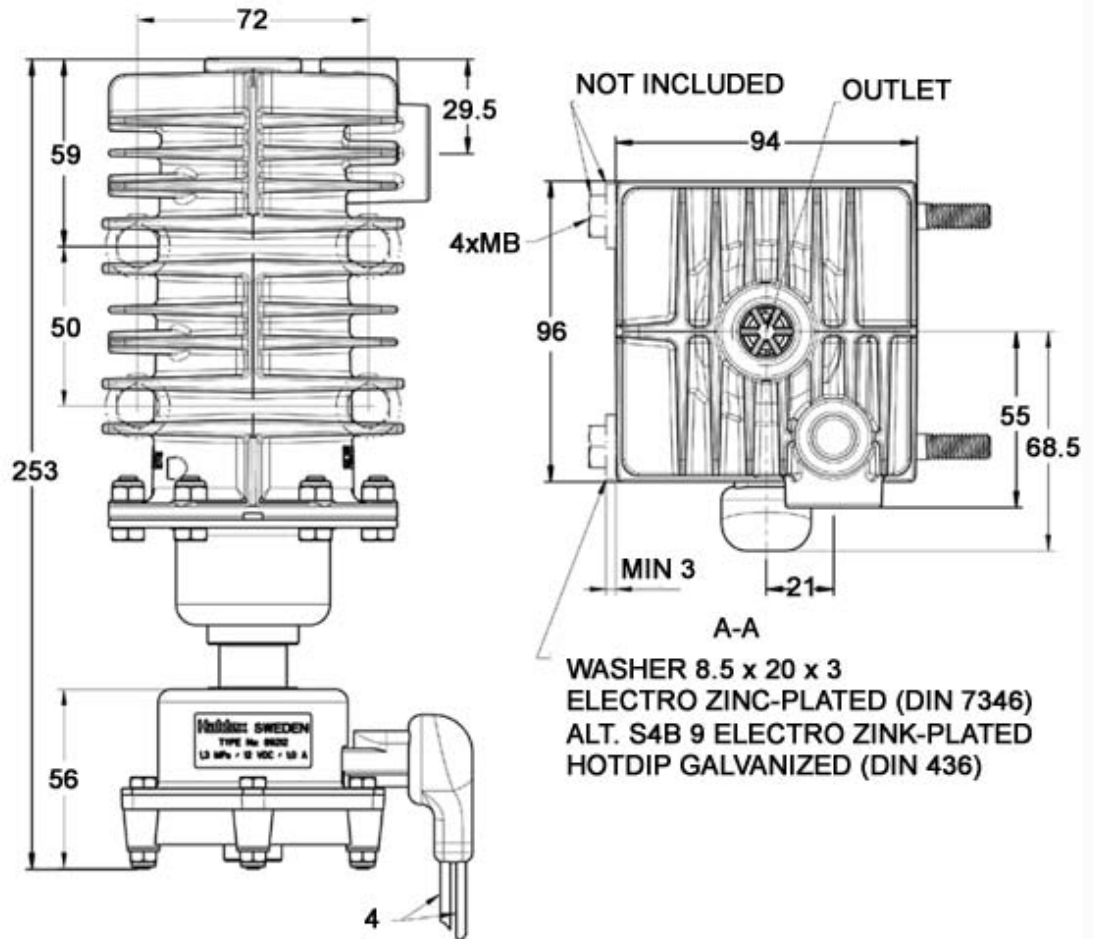
Dimensional Drawing of DRYest Air Dryer



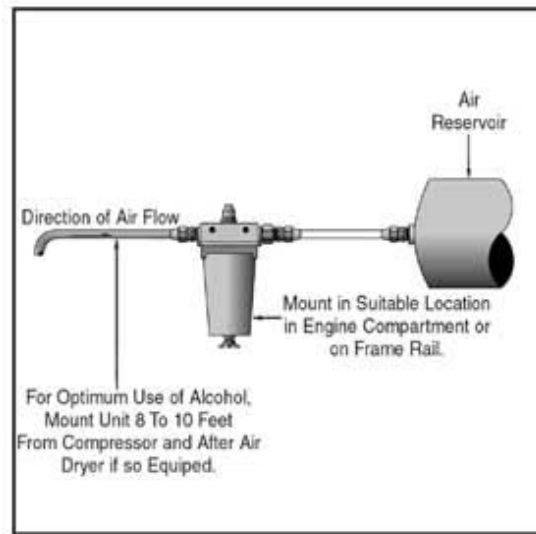
Dimensional Drawing of PURest Air Dryer



Dimensional Drawing of Consep™ Condenser/Separator



How the Evaporator Works



The evaporator is connected into the compressor discharge line between the compressor and the air reservoir. The warmer compressed air stream is pumped by the compressor through a venturi shaped passage in the injector. A smaller passage ahead of and angled to the venturi admits air to the liquid alcohol below and also introduces the resulting alcohol vapor into the air stream. The air flow through the venturi then assures completed vaporization and mixing. After leaving the venturi, the air stream passes through a one-way check valve located in the evaporator outlet. It is there to seal off a possible back pressure and enable removing the filler cap to refill the unit with alcohol.



Looks Can Be Deceiving ...

This Haldex Automatic Brake Adjuster was removed from an in-service trailer after 15 years as part of a standard refurbishment program. Although caked with grease and grime, it was tested and found to be 100% operational.

Each Haldex ABA is designed for optimum brake adjustment to help prevent uneven brake wear so you have fewer repairs, less downtime and less cost. It's also backed by the industry's best warranty.

Durability isn't always pretty. Demand Haldex ABA's on your next vehicle.



www.haldex.com



Stop Burning Money

Save money and expensive fuel cost by installing the Haldex ILAS® III lift axle valve. The fully automatic valve responds to the pressure in the primary suspension air bags and will lift axles when they are not needed. The ILAS® valve is used for lowering and lifting one or more axles depending on the load applied to the vehicle.

Haldex provides solutions to improve the performance and efficiency of your vehicle. You can keep your vehicle on the road and maintain a lower cost of ownership by installing the Haldex ILAS® III lift axle valve.

Quit burning your money, specify Haldex Air Suspension components and keep your vehicle on the road.



www.haldex.com



“Our primary concern is safety.”

RJ Molder, Vice President Fleet Services,
Kenan Advantage Group, Canton, OH

“Making the decision to outfit our vehicles with Haldex TRS was an easy one,” said RJ Molder. “Knowing the system can reduce rollovers in our fleet is invaluable to our safety program. Our fleet turns millions of miles a month and by the law of averages a potential rollover could happen. We want to beat those averages.” By using the Haldex Trailer Rollover Stability System (TRS), if a rollover is imminent, the TRS applies the trailer brakes to slow and stabilize the tractor/trailer.

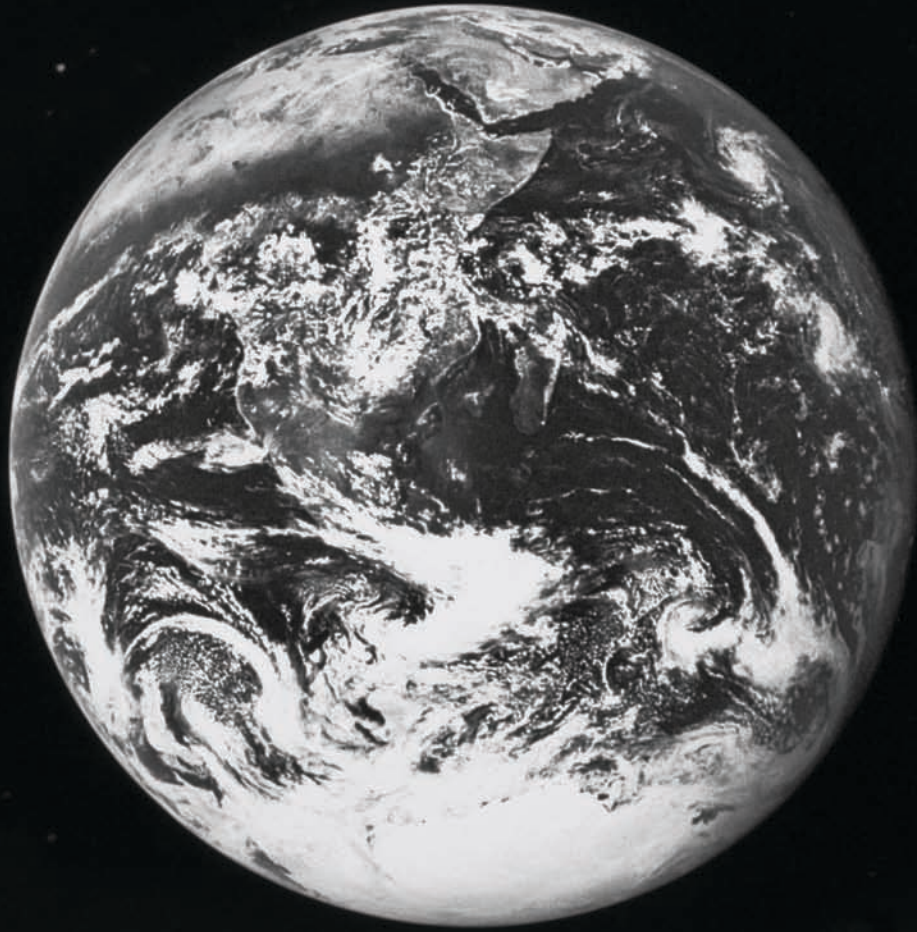
The Haldex Trailer Rollover Stability System (TRS) reduces the potential for combination vehicle rollovers by constantly monitoring the trailer’s speed and lateral force 100 times per second.

The Kenan Advantage Group is the largest independent fuel delivery carrier in North America and has chosen Haldex TRS to reduce rollovers.

Protect your fleet with Haldex Trailer Rollover Stability (TRS).



www.haldex.com



Wherever you are in the world, Haldex has the air brake system.

Hundreds of challenges. One simple solution.

Creating an integrated brake system meant overcoming hundreds of challenges that could impact your brake system effectiveness. Through decades of air brake design and manufacturing, Haldex has developed air brake and suspension control products that work together. Like our popular Automatic Brake Adjusters, we've got a line of air brake system products that will keep you on the road.

Wherever you are in the world today, we've got a simple solution to meet your need for a safe, complete and more efficient brake system. Haldex.



www.haldex.com

This page left blank intentionally.

Haldex develops and provides reliable and innovative solutions with focus on brake and air suspension products to the global commercial vehicle industry.

Listed on the Stockholm Stock Exchange, Haldex has annual sales of 3.7 billion SEK and employs 2,200 people.

Disclaimer: The products described within this literature, including without limitation, product features, specifications, designs, availability and pricing are subject to change by Haldex and its subsidiaries at any time without notice.

This document and other information from Haldex, its subsidiaries and authorized distributors provide product and/or system options for further investigation by users having technical expertise. It is important that you analyze all aspects of your application and review the information concerning the product or system, in the current literature or catalog. Due to the variety of operating conditions and applications for these products or systems, the user, through their own analysis and testing, is solely responsible for making the final selection of the products and systems and assuring that all performance, safety and warning requirements are met.

Austria
Haldex Wien Ges.m.b.H.
Vienna
Tel.: +43 1 8 69 27 97
Fax: +43 1 8 69 27 97 27
E-Mail: info.AT@haldex.com

Belgium
Haldex N.V.
Balegem
Tel.: +32 9 363 90 00
Fax: +32 9 363 90 09
E-Mail: info.BE@haldex.com

Brazil
Haldex do Brasil Ind. e Com. Ltda.
São Paulo
Tel.: +55 11 213 55 000
Fax: +55 11 503 49 515
E-Mail: info.BR@haldex.com

Canada
Haldex Ltd.
Cambridge, Ontario
Tel.: +1 519 621 6722
Fax: +1 519 621 3924
E-Mail: info.Canada@haldex.com

China
Haldex Vehicle Products (Suzhou) Co. Ltd.
Suzhou
Tel.: +86 512 8885 5301
Fax: +86 512 8765 6066
E-Mail: info.CN@haldex.com

France
Haldex Europe SAS
Weyersheim (Strasbourg)
Tel.: +33 3 88 68 22 00
Fax: +33 3 88 68 22 09
E-Mail: info.EUR@haldex.com

Germany
Haldex Brake Products GmbH
Heidelberg
Tel.: +49 6 221 7030
Fax: +49 6 221 703400
E-Mail: info.DE@haldex.com

Hungary
Haldex Hungary Kft.
H-2255 Szentlőrincváta
Dózsa György u.93.
Tel.: +36 29 631 400
Fax: +36 29 631 401
E-Mail: info.hu.eu@haldex.com

India
Haldex India Ltd.
Nasik
Tel.: +91 0253-6699501
+91 0253-6699502
Fax: +91 0253-2380729

Italy
Haldex Italia Srl.
Biancospino (Milan)
Tel.: +39 039 47 17 02
Fax: +39 039 27 54 309
E-Mail: info.IT@haldex.com

Korea
Haldex Korea Ltd.
Seoul
Tel.: +82 2 2636 7545
Fax: +82 2 2636 7548
E-Mail: info.HKR@haldex.com

Mexico
Haldex Products de México S.A. de C.V.
Monterrey
Tel.: +52 81 8156 9500
Fax: +52 81 8313 7090

Poland
Haldex Sp. z.o.o.
Praszka
Tel.: +48 34 350 11 00
Fax: +48 34 350 11 11
E-Mail: info.PL@haldex.com

Russia
Haldex Rus
Moscow
Tel.: +7 495 747 59 56
Fax: +7 495 786 39 70
E-Mail: info.RU@haldex.com

Spain
Haldex España S.A.
Granollers
Tel.: +34 93 84 07 239
Fax: +34 93 84 91 218
E-Mail: info.ES@haldex.com

Sweden
Haldex Brake Products AB
Landskrona
Tel.: +46 418 47 60 00
Fax: +46 418 47 60 01
E-Mail: info.SE@haldex.com

Haldex AB
Landskrona
Tel.: +46 418 47 60 00
Fax: +46 418 47 60 66
E-Mail: info@haldex.com

United Kingdom
Haldex Ltd.
Newton Aycliffe
Tel.: +44 1325 310 110
Fax: +44 1325 311 834
E-Mail: info.GBAy@haldex.com

Haldex Brake Products Ltd.
Redditch
Tel.: +44 1527 499 499
Fax: +44 1527 499 500
E-Mail: info.GBRe@haldex.com

USA
Haldex Brake Products Corp.
Kansas City
Tel.: +1 816 891 2470
Fax: +1 816 891 9447
E-Mail: info.US@haldex.com

